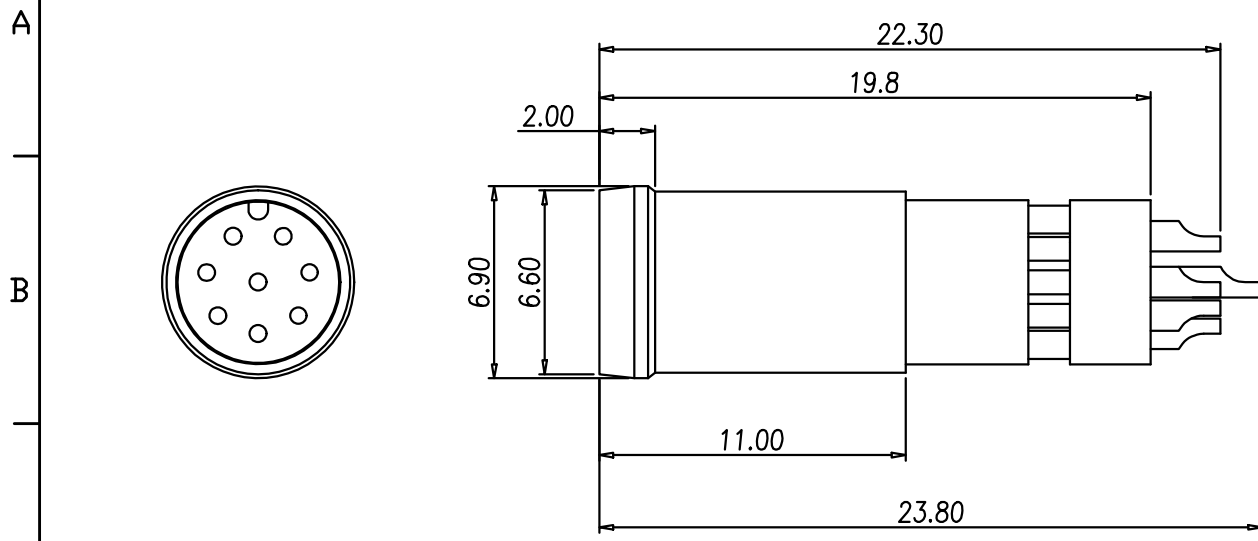


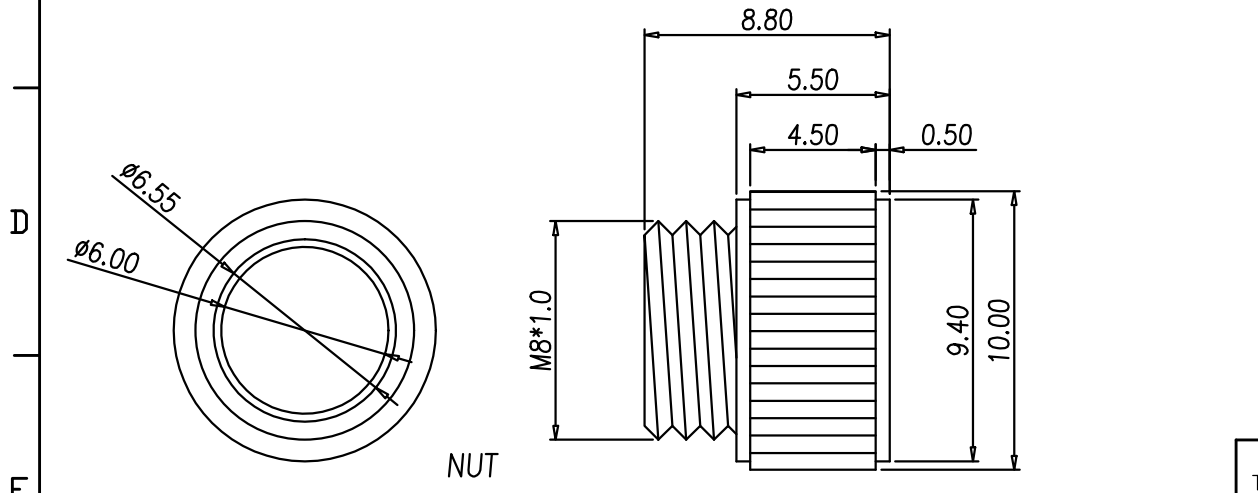
RoHS Compliant

WATERPROOF M8-8P (M)

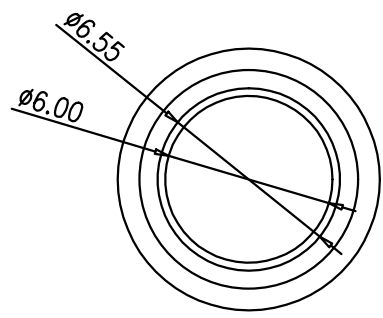
REV	DATE	DESCRIPTION	ECN NO.	NAME
A	20.07.16	PROPOSAL		LWEI



1. MATERIAL :
- 1-1. HOUSING : PA66 UL94V-0; COLOR : BLACK
 - 1-2. CONTACT : BRASS.
 - 1-3. NUT : BRASS.
2. FINISH :
- 2-1. CONTACT : GOLD FLASH
 - 2-2. NUT : NICKEL PLATED.
3. ELECTRICAL SPECIFICATION :
- 3-1. Rated current : 1.5A
 - 3-2. Rated voltage : 30V
 - 3-3. Water proof : IP67
4. Environmental :
- 4-1. Operation Temperature : -40 ~105



NUT



GENERAL TOLERANCE		WIESON TECHNOLOGIES CO., LTD		CUST NO.:	
X.X	=±0.20	DRAWN BY	LWEI	PART NO.:	
X.XX	=±0.15	CHECKED BY	YXJ	AC3401-05080000-00	
X.X*	=±1*	APPROVED BY	JIM	STANDARD NO.	
⊕		SORTING NO.	NY(WSC)	DRAWING SIZE	1 : 1 A4
				UNIT	mm
				PAGE	1 OF 1