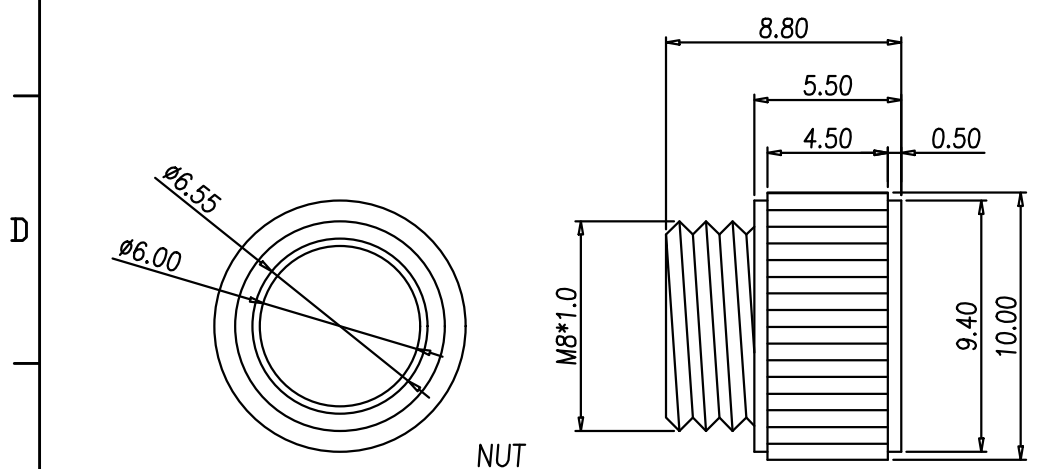
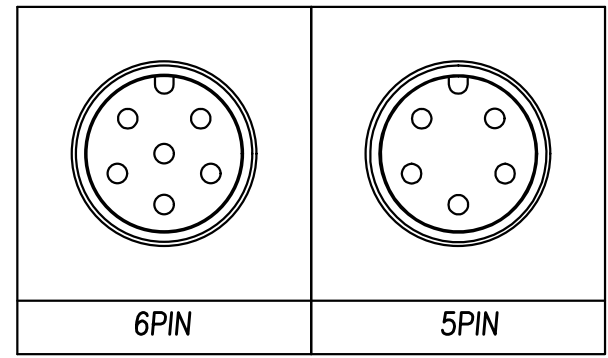
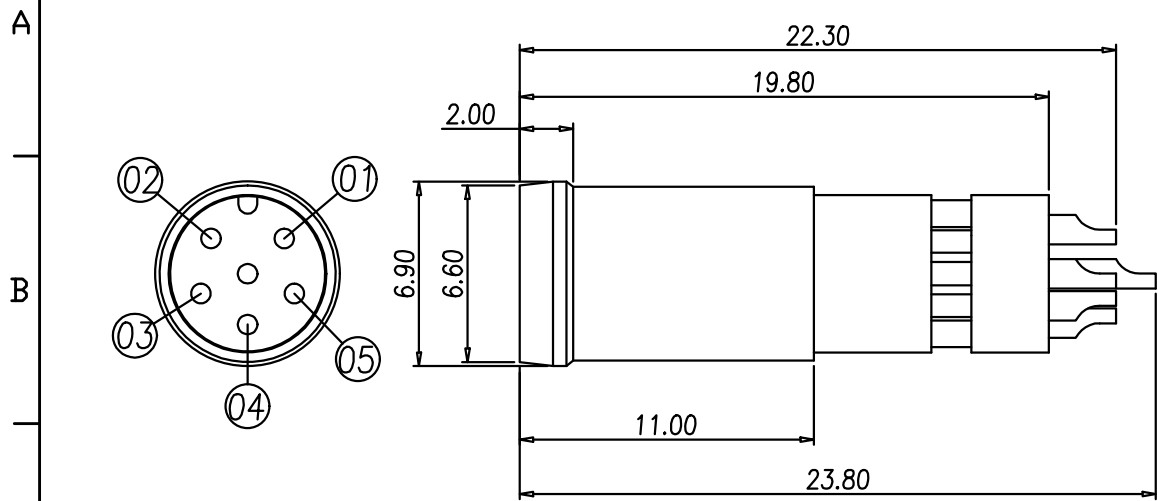


REV	DATE	DESCRIPTION	ECN NO.	NAME
A	20.07.16	PROPOSAL		LWEI

**RoHS Compliant**

WATERPROOF M8 (M)



1. MATERIAL :
  - 1-1. HOUSING : PA66 UL94V-0 ; COLOR : BLACK
  - 1-2. CONTACT : BRASS.
  - 1-3. NUT : BRASS.
2. FINISH :
  - 2-1. CONTACT : GOLD FLASH
  - 2-2. NUT : NICKEL PLATED.
3. ELECTRICAL SPECIFICATION :
  - 3-1. Rated current : 2A
  - 3-2. Rated voltage : 30V
  - 3-3. Water proof : IP67
4. Environmental :
  - 4-1. Operation Temperature : -40 ~105
5. ORDER INFORMATION: AC3401-0509 XX 00 -00

PIN OPTION  
 ① — 01: 5PIN  
 — 02: 6PIN

CUST NO.:

GENERAL TOLERANCE X.X = ±0.20 X.XX = ±0.15 X.X* = ±1*	WIESON TECHNOLOGIES CO., LTD WIESON		PART NO.: <b>AC3401-0509XX00-00</b>	
	DRAWN BY	LWEI	STANDARD NO.	
	CHECKED BY	YXJ	DRAWING SIZE 1 : 1 A4	
	APPROVED BY	JIM	UNIT mm	
	SORTING NO.	NY(WSC)	PAGE	1 OF 1