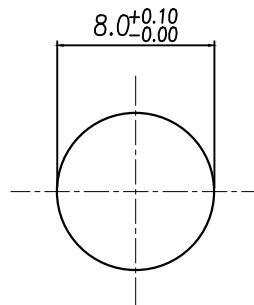
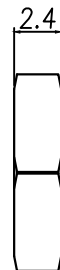
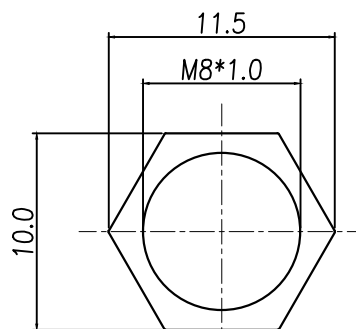
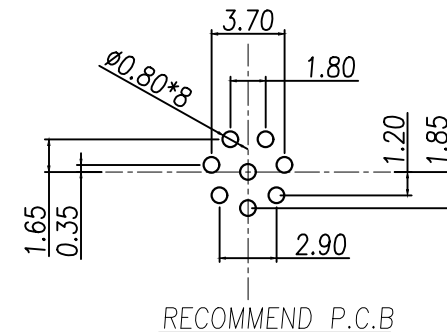
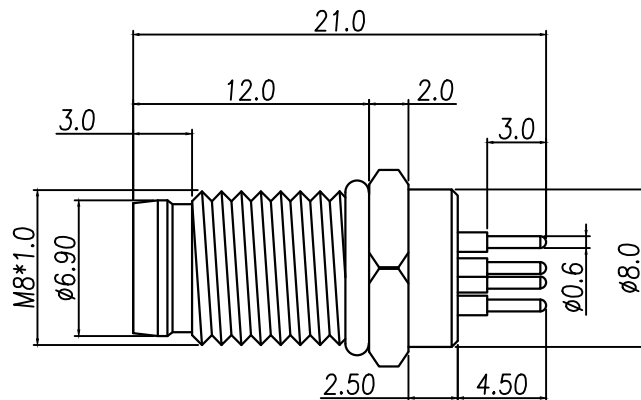
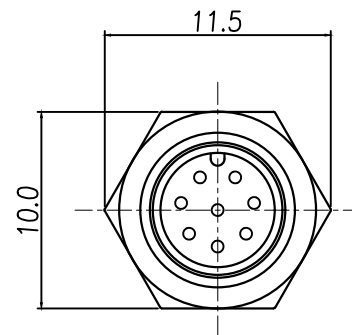


RoHS Compliant

M8 8PIN(M) M8*1.0 DIP TYPE WATERPROOF PLUG

REV	DATE	DESCRIPTION	ECN NO.	NAME
A	20.01.13	PROPOSAL		LWEI

A
B
C
D
E



NUT

RECOMMEND PANEL CUT-OUT

1. MATERIAL :
 - 1-1. HOUSING : PA66 ; COLOR : BLACK
 - 1-2. CONTACT : BRASS.
 - 1-3. SHELL : BRASS
 - 1-4. O-RING : NBR ; COLOR : BLACK
 - 1-5. NUT : BRASS.
2. FINISH :
 - 2-1. CONTACT : SEE ORDER INFORMATION GOLD PLATED
 - 2-2. SHELL : NICKEL PLATED.
 - 2-3. NUT : NICKEL PLATED.
3. ELECTRICAL SPECIFICATION :
 - 3-1. Rated current : 1A
 - 3-2. Rated voltage : 60V
 - 3-3. Water proof : IP67
4. Environmental :
 - 4-1. Operation Temperature : -40℃~105℃
5. ORDER INFORMATION: AC3401-051000 XX -00

CONTACT PLATING

- ① [00: G/F
01: 10u" Au

TOLERANCE	WIESON TECHNOLOGIES CO., LTD	PART NO.:	
.x ±0.20	DRAWN BY	AC3401-051000XX-00	
.xx ±0.10		LWEI(WSC)	DRAWING NO. AC3401-051000XX-00
.xxx ±0.05	CHECKED BY	YXJ	DRAWING SIZE
.xxxx ±0.03	APPROVED BY	JIM	UNIT
ANGULA ±1°	SORTING NO.	(WSC)	mm
		PAGE	1 OF 1

PROPOSAL

[ARTICLE:044033 V6]