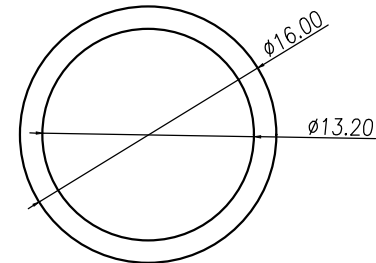
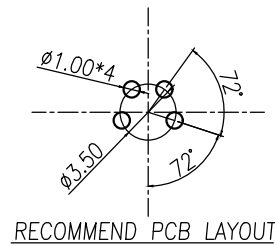
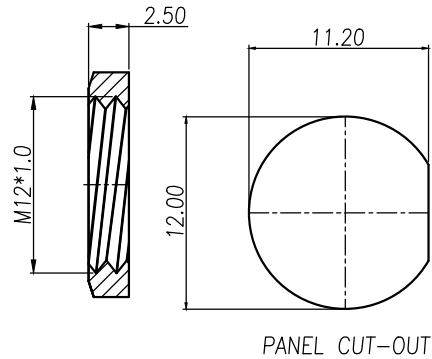
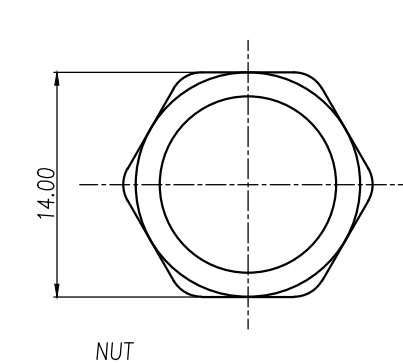
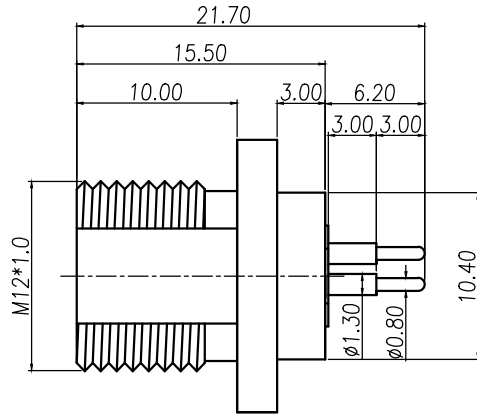
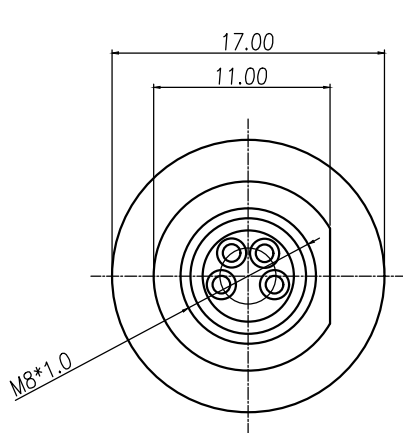


REV	DATE	DESCRIPTION	ECN NO.	NAME
A	20.04.08	PROPOSAL		LWEI

**RoHS Compliant**

M8-4PIN(F) DIP TYPE

A  
B  
C  
D  
E



- MATERIAL :
  - HOUSING : PBT UL94V-0 ; COLOR : BLACK
  - CONTACT : BRASS
  - SHELL : BRASS
  - O-RING : NBR ; COLOR : BLACK
  - NUT : BRASS
  - WASHER : STAINLESS STEEL.
- FINISH :
  - CONTACT : SEE ORDER INFORMATION GOLD PLATED  
UNDER PLATE : NICKEL
  - SHELL : NICKEL PLATED
  - NUT : NICKEL PLATED
  - WASHER : NICKEL PLATED
- ELECTRICAL SPECIFICATION :
  - Rated current : 3A
  - Rated voltage : 30V
  - Water proof : IPX7
- Environmental :
  - Operation Temperature : -20℃~85℃
- ORDER INFORMATION: AC3402-160000 XX-00  
CONTACT PLATING  
①-00: 10u" Au

GENERAL TOLERANCE		WIESON TECHNOLOGIES CO., LTD		CUST NO.:	
X.X	=±0.20	DRAWN BY	LWEI	PART NO.:	
X.XX	=±0.15	CHECKED BY	YXJ	AC3402-160000XX-00	
X.X*	=±3'	APPROVED BY	JIM	STANDARD NO.	
⊕		SORTING NO.	(WSC)	DRAWING SIZE	1 : 1   A4
				UNIT	mm
				PAGE	1 OF 1