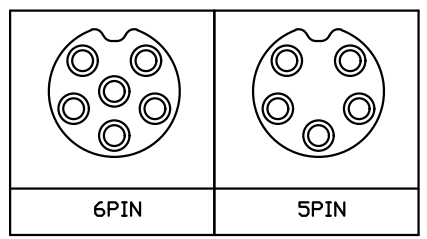
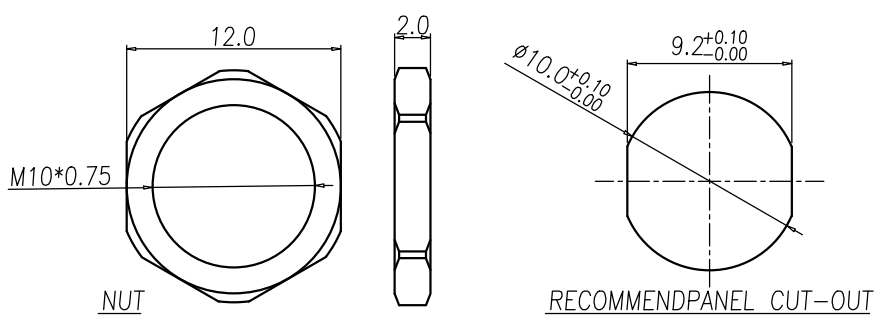
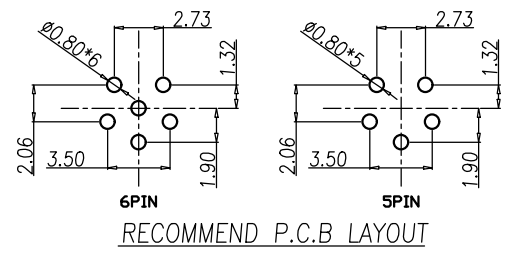
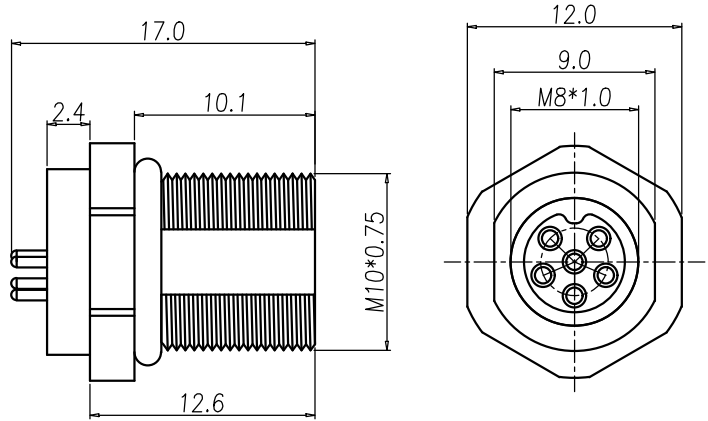


**RoHS Compliant**

Waterproof M8 (F) 前鎖M10\*0.75 DIP式

REV	DATE	DESCRIPTION	ECN NO.	NAME
A	20.06.29	PROPOSAL		LWEI

A  
B  
C  
D  
E



NOTE:

- MATERIAL :
  - 1-1. HOUSING : PA66 UL94V-0 ; COLOR : BLACK
  - 1-2. CONTACT : BRASS.
  - 1-3. SHELL : BRASS.
  - 1-4. NUT : BRASS.
  - 1-5. O-RING : EPDM ; COLOR : BLACK
- FINISH :
  - 2-1. CONTACT : SEE TABLE
  - 2-2. SHELL : NICKEL PLATED.
  - 2-3. NUT : NICKEL PLATED.
- ELECTRICAL SPECIFICATION :
  - 3-1. Rated current : 1.5A
  - 3-2. Rated Voltage : 30V
  - 3-3. Water proof : IP67
- Environmental :
  - 4-1. Operation Temperature : -40 ~105
- ORDER INFORMATION: AC3402-1615 XX XX-00
  - PIN OPTION      PLATING OPTION      ① ②
  - ①- 00: 5PIN      00: G/F
  - ②- 01: 6PIN      01: 10u"

GENERAL TOLERANCE		WIESON TECHNOLOGIES CO., LTD		CUST NO.:	
X.X	=±0.20	DRAWN BY	LWEI	PART NO.:	
X.XX	=±0.15	CHECKED BY	YXJ	AC3402-1615XXXX-00	
X*	=±1*	APPROVED BY	JIM	STANDARD NO.	
⊕		SORTING NO.	NY (WSC)	DRAWING SIZE	1 : 1 A4
				UNIT	mm
				PAGE	1 OF 1