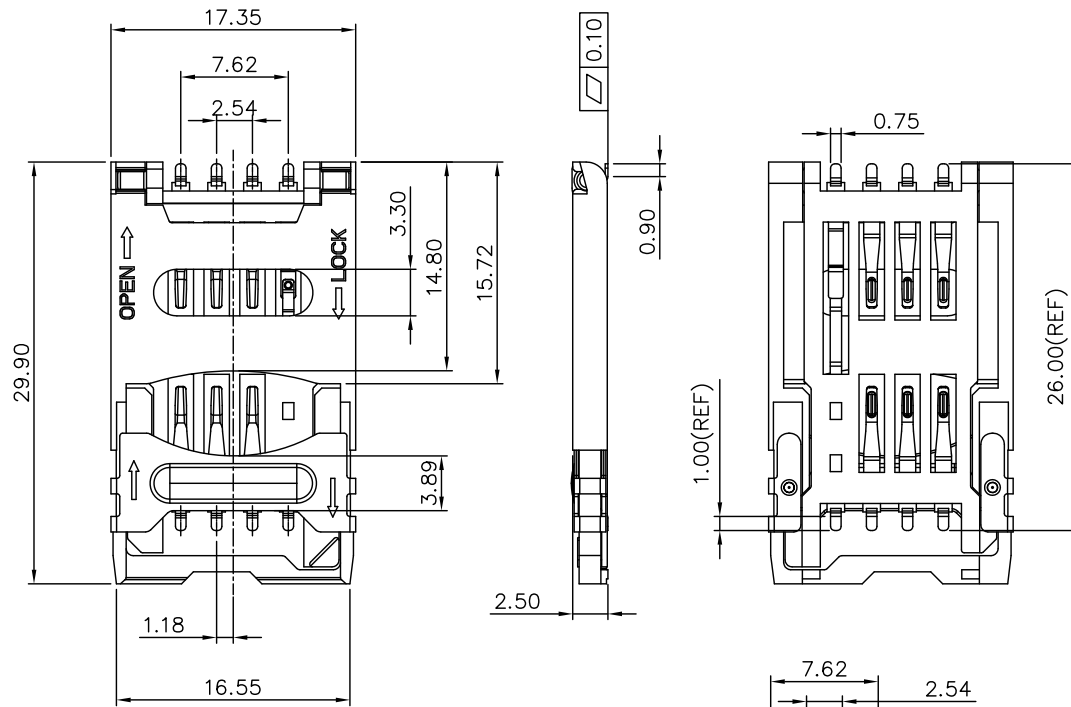


RoHS Compliant

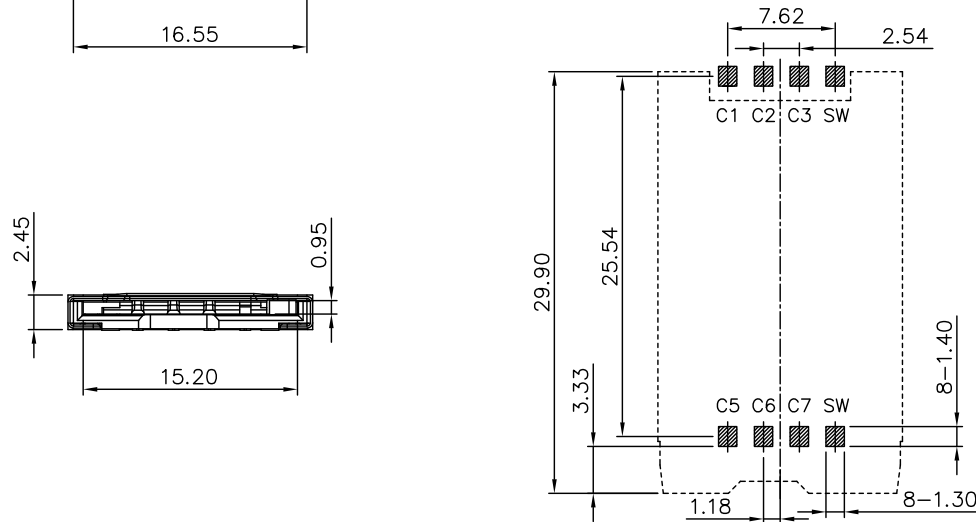
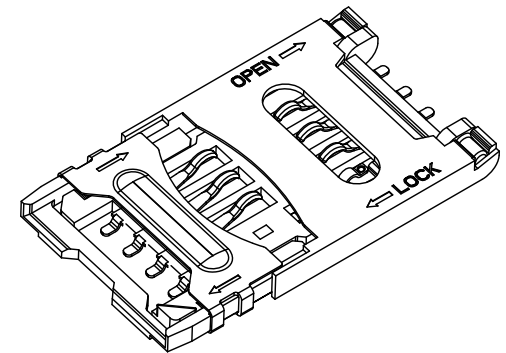
6178 SERIES SIM CARD CONN. SMT TYPE H=2.5

REV	DATE	DESCRIPTION	ECN NO.	NAME
A	18.06.15	PROPOSAL		HHuan
A1	19.01.22	△ MODIFY		HHUAN
A2	19.01.25	△ MODIFY		HHUAN
A3	19.05.14	△ ADD PACKAGING		HHUAN
B	19.10.18	NEW RELEASE		WCD



NOTE:

- MATERIAL:
 - HOUSING:HIGH TEMPERATURE THERMOPLASTIC,UL94V-0 COLOR:BLACK.
 - SLIDER LOCKED:STAINLESS STEEL
 - TERMINAL:COPPER ALLOY
- PLATING:
 - TERMINAL: 5u" Au min IN CONTACT AREA, 100u" Sn min IN SOLDER TAIL AREA, BOTH OVER 30u" Ni min UNDER PLATED OVERALL
- MECHANICAL PERFORMANCE
 - MATING CYCLES: 5000 CYCLES
- ELECTRICAL PERFORMANCE:
 - RATING CURRENT:0.5A MAX.
 - INSULATION RESISTANCE: 100MΩ MIN. AT 500V DC.
 - TERMINAL CONTACT RESISTANCE: 100MΩ MAX.
 - WITHSTANDING VOLTAGE:500V AC AT 1MA MAX. FOR 1 MINUTE.
- ENVIRONMENT PERFORMANCE.
 - OPERATING TEMPERATURE: -40℃~ +85℃



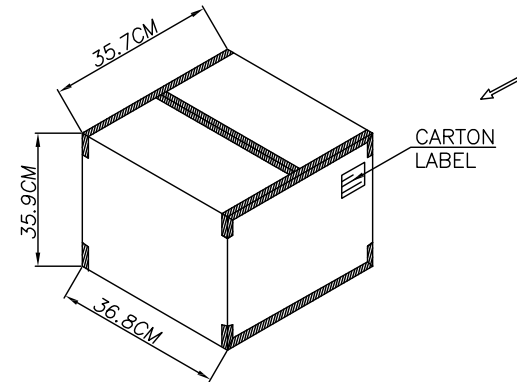
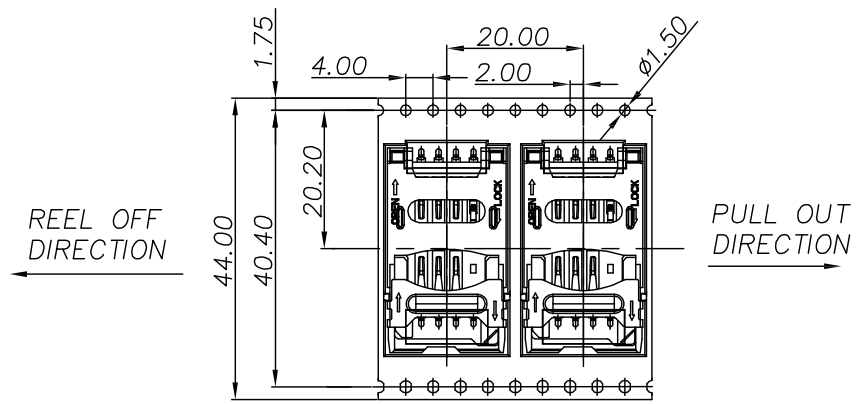
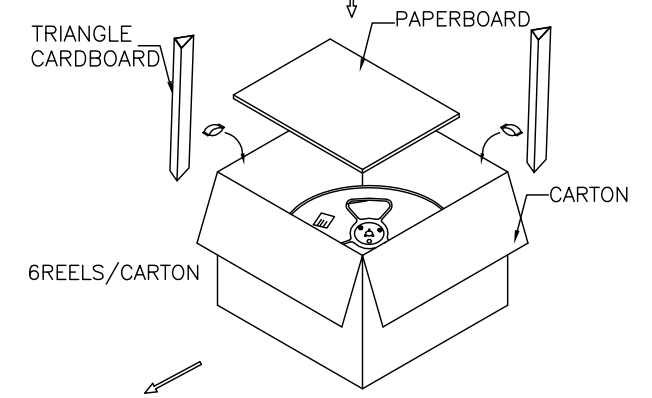
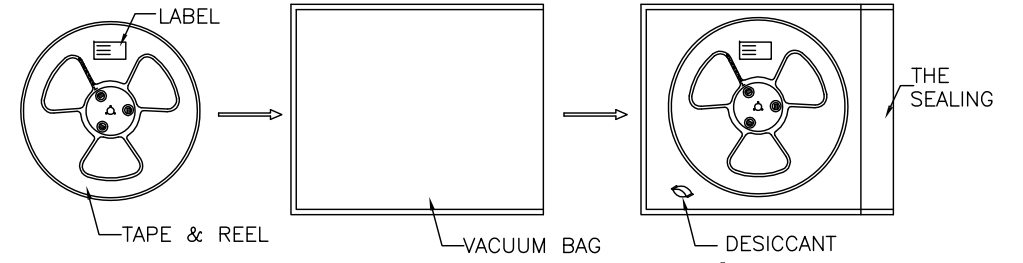
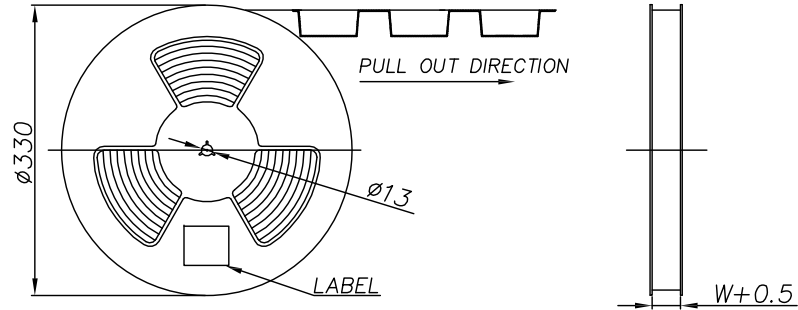
SMT SOLDER AREA
 THERE SHOULD NOT BE ANY CIRCUITRIES IN THE LAYOUT SPACE OF THE PRODUCTS
 RECOMMENDED PCB LAYOUT
 GENERAL TOLERANCE±0.05

GENERAL TOLERANCE	WIESON TECHNOLOGIES CO., LTD WIESON	PART NO.: G6178JE115-001	
X.X = ±0.20		DRAWN BY: HHuan(WSC)	DRAWING NO. G6178JE115-001
X.XX = ±0.15	CHECKED BY: YXJ	DRAWING SIZE: 1 : 1	A4
X.X* = ±3'	APPROVED BY: JIM	UNIT: mm	
	SORTING NO. AT (WSC)	PAGE: 1 OF 2	

RoHS Compliant

6178 SERIES SIM CARD CONN. SMT TYPE PACKAGING

REV	DATE	DESCRIPTION	ECN NO.	NAME
A	18.06.15	PROPOSAL		HHuan
A1	19.01.22	△ MODIFY		HHUAN
A2	19.01.25	△ MODIFY		HHUAN
A3	19.05.14	△ ADD PACKAGING		HHUAN
B	19.10.18	NEW RELEASE		WCD



NOTES:
 1.PACK:900PCS/REEL,5400PCS/CARTON;
 2.CARTON SIZE:368*357*359mm;

GENERAL TOLERANCE	WIESON TECHNOLOGIES CO., LTD	PART NO.: G6178JE115-001	
		DRAWN BY: HHuan(WSC)	DRAWING NO. G6178JE115-001
X.X = ±0.20	CHECKED BY:	DRAWING SIZE	1 : 1 A4
X.XX = ±0.15	APPROVED BY:	UNIT	mm
X.X* = ±3'	SORTING NO. AT (WSC)	PAGE	2 OF 2