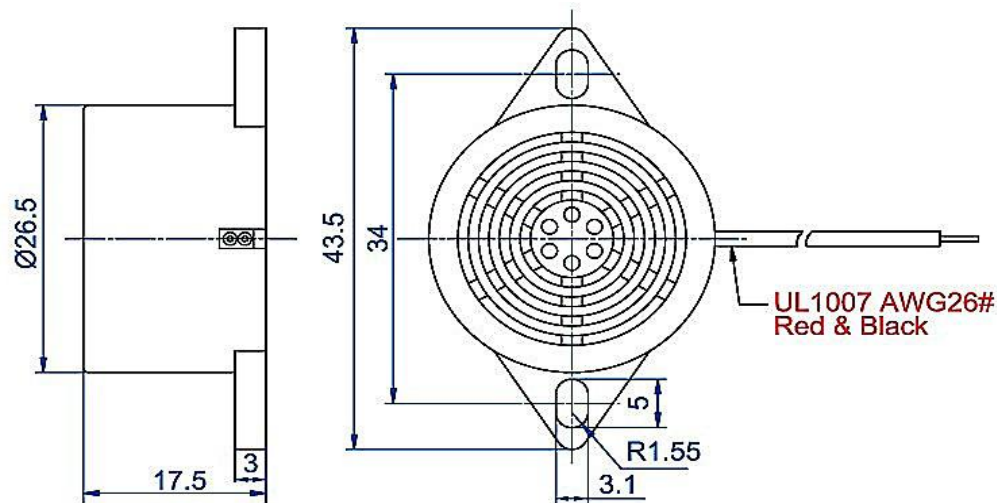
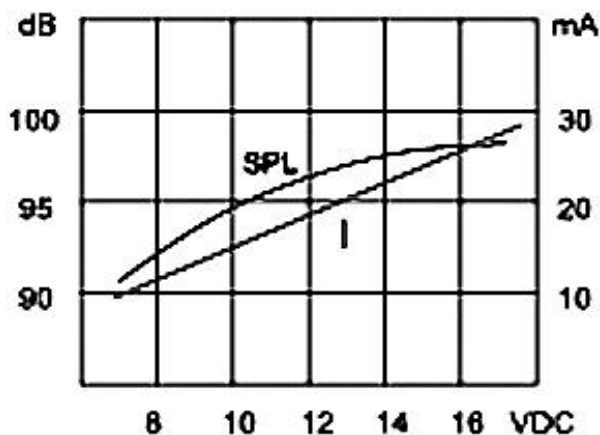
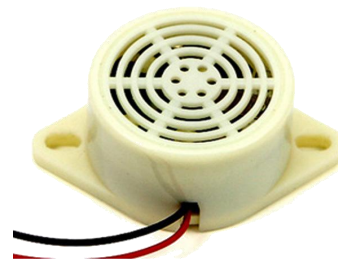


| SPECIFICATION | | |
|---------------|----------------------------|-----------------------|
| 1 | Model No. | EMB2617W1107-12-0.4-R |
| 2 | Rated Voltage (VDC) | 12 |
| 3 | Operating Voltage (VDC) | 9~15 |
| 4 | Resonant Frequency (Hz) | 400±100 |
| 5 | *Rated Current (mA) | ≤35 |
| 6 | *Sound Output at 20cm (dB) | ≥85 |
| 7 | Operating Temperature (°C) | -20~+60 |
| 8 | Storage Temperature (°C) | -30~+70 |
| 9 | Weight (g) | 10.5 |
| 10 | Housing Material | ABS |
| 11 | Rohs | Yes |


THIS DOCUMENT CONTAINS DATE PROPRIETARY TO PROJECTS CHANGZHOU ESUNTECH CO LTD. ANY USE OR REPRODUCTION, IN ANY FORM, WITHOUT PRIOR WRITTEN PERMISSION OF PROJECTS CHANGZHOU ESUNTECH CO LTD IS PROHIBITED.
©2003, Project Changzhou Esuntech Co Ltd

| REVISION HISTORY | | | |
|------------------|---------------------------|-----------|----------|
| LTR | DESCRIPTION | DATE | APPROVED |
| - | RELEASED FROM ENGINEERING | 9/23/2003 | Y M |
| A | | | |
| B | | | |
| C | | | |



NOTES:

1. ALL DIMENSIONS ARE IN MILLIMETERS
2. SPECIFICATIONS SUBJECT TO CHANGE WITHOUT NOTICE

| SIZE | Designed by | Date | Checked by | Date | Approved by | Date | Drawed date |
|------|--|------|-----------------------|---------|-------------|------|-------------|
| A4 |  Changzhou Esuntech Co.,Ltd http://www.esuntech.com.cn | | EMB2617W1107-12-0.4-R | | | | |
| | | | BUZZER | Edition | Sheet | | |