

# APPROVAL SHEET



**FHD ELECTRONICS CORPORATION**

CUSTOMER NAME : \_\_\_\_\_  
COMMODITY : PIEZO INDICATOR  
FHD PART NO. : I360329-PC2900H-N  
CUSTOMER PART NO. : \_\_\_\_\_

Approved by	Y. J.	Prepared by	HY Shen
-------------	-------	-------------	---------

Customer Approval			
Approved		Rejected	

**8104 Lynores Way, Plano, TX 75025**  
**Tel: 469-409-2828 Cell: 408-693-5952**  
**Email: [sales@fhdmfg.com](mailto:sales@fhdmfg.com) Website: [www.fhdmfg.com](http://www.fhdmfg.com)**



## A. PART NO.: I360329-PC2900H-N

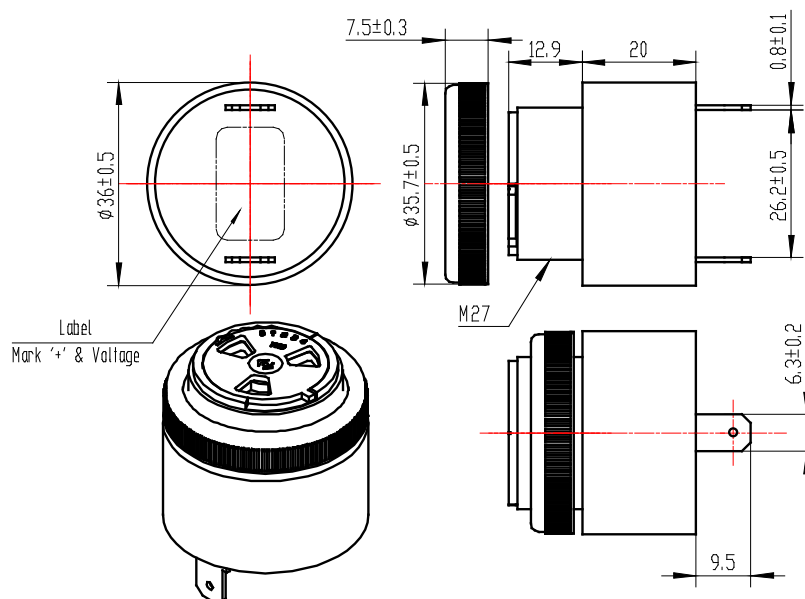
## B. SPECIFICATION

Part shall be measured under a condition (Temperature: 5 ~ 35°C, Humidity: 45% ~ 85%R.H., Atmospheric pressure: 860 ~ 1060hPa) unless the standard condition (Temperature: 25±3°C, Humidity: 60±10%R.H. Atmospheric pressure: 860 ~ 1060hPa) is regulated to measure.



No.	Item	Unit	Specification	Condition
1	Resonant Frequency	Hz	2900 ± 500	square wave
2	Rated Voltage	VDC	110	
3	Operating Voltage	VDC	65 ~ 140	
4	Current Consumption	mA	Max. 20	At 110VDC
5	Sound Output Level	dB	Min. 100	At 110VDC @10cm
6	Operating Temperature	°C	-30 ~ +70	
7	Storage Temperature	°C	-40 ~ +85	
8	Dimension	mm	Dia. 36.0 x 32.9	See appearance drawing
9	Weight (MAX)	gram	22	
10	Housing Material		Halogen Free PPO ( Black )	
11	Tone		Synth Sound	
12	Environmental Protection Regulation		RoHS	

## B. APPEARANCE DRAWING



Unit: mm Tolerance: ±0.5mm Except Specified

## D. RELIABILITY TEST

After any following tests the part shall meet specifications without any degradation in appearance and performance except SPL. SPL shall not deviate more than -5dB from the initial value

### 1. Ordinary Temperature Life Test

The part shall be subjected to 96 hours at  $25\pm 10^{\circ}\text{C}$ . Input rated voltage

Resonant frequency, 1/2 duty Square wave.

### 2. High Temperature Test

The part shall be capable of withstanding a storage temperature of  $+70^{\circ}\text{C}$  for 96 hours.

### 3. Low Temperature Test

The part shall be capable of withstanding a storage temperature of  $30^{\circ}\text{C}$  for 96 hours.

### 4. Humidity Test

Temperature:  $+40^{\circ}\text{C} \pm 3^{\circ}\text{C}$  Relative Humidity: 90% ~ 95% Duration: 48 hours and expose to room temperature for 6 hours

### 5. Temperature Shock Test

Temperature:  $70^{\circ}\text{C}/1\text{hour} \rightarrow 25^{\circ}\text{C}/3\text{hours} \rightarrow 30^{\circ}\text{C}/1\text{hour} \rightarrow 25^{\circ}\text{C}/3\text{hours}$  (1 cycle)

Total cycle: 10 cycles

### 6. Drop Test

Buzzer is packed in a standard Packaging and is dropped from height 75m on a 5cm thick hard wood or board, three sides, six plain.

### 7. Vibration Test

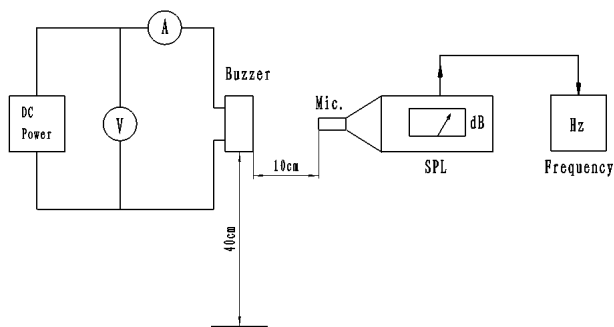
Vibration: 1000cycles /min. Amplitude: 1.5mm, Duration: 1 hour in each 3 axes

#### Note:

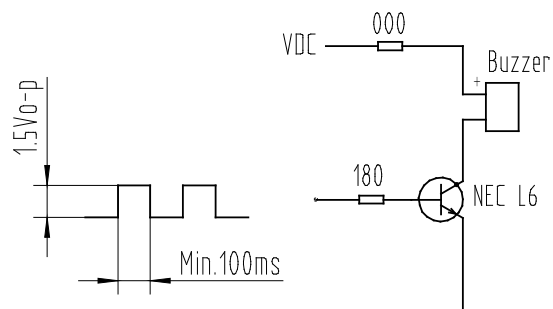
As this product is not protected from foreign material entering, please make sure that any foreign materials (e.g. magnetic powder, washing solvent, flux, corrosive gas) do not enter this product in your production processes. The functional degradation (e.g. SPL down) may occur if foreign material enter it.

## E. ELECTRICAL AND ACOUSTICAL MEASURING CONDITION

### a) Recommended Setting



### b) Recommended Test Circuit



# F. PACKING INFORMATION

泡沫盒 48PCS/盒



外箱 240PCS/箱 (5 盒)

