

MB0603 SERIES ~

Multilayer Chip Suppressions / Ferrite Chip Beads

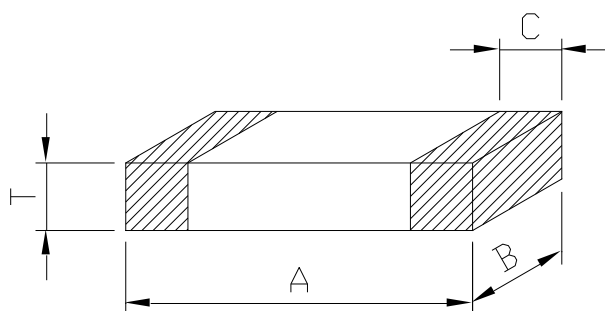


PART NUMBERING SYSTEM

MB	0603	—	600	—	LF
TYPE	DIMENSIONS		IMPEDANCE		LEAD FREE

SHAPES AND DIMENSIONS

UNIT : mm



A=0.6±0.03 B=0.3±0.03 C=0.1~0.2 T=0.3±0.03

SPECIFICATION TABLE

PART NUMBER	IMPEDANCE (Ω) at 100MHz	DCR (Ω) (max)	IDC (mA) (max)
MB0603-400-LF	40±25%	0.30	300
MB0603-500-LF	50±25%	0.30	300
MB0603-600-LF	60±25%	0.35	300
MB0603-700-LF	70±25%	0.35	300
MB0603-121-LF	120±25%	0.45	200

- Test equipment : E-4991A impedance analyzer or equipment .
- Operating temperature range -55°C to +125°C , Electrical specifications at 25°C.



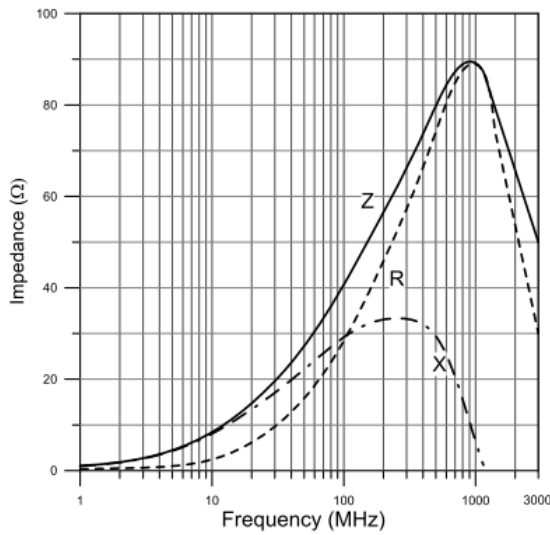
MB0603 SERIES ~

Multilayer ChipSuppressions / Ferrite Chip Beads

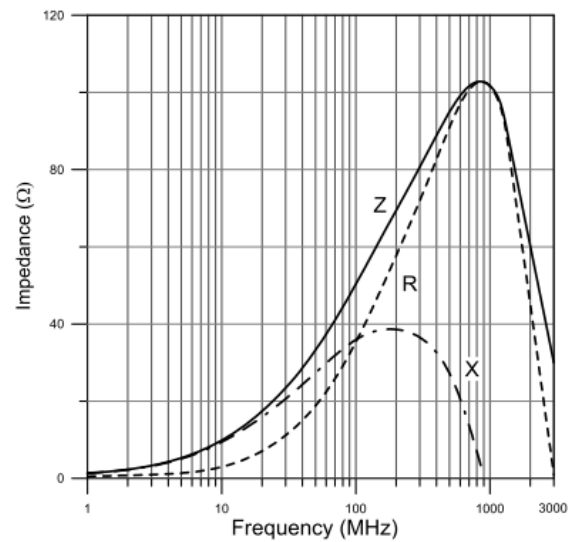


IMPEDANCE vs FREQUENCY

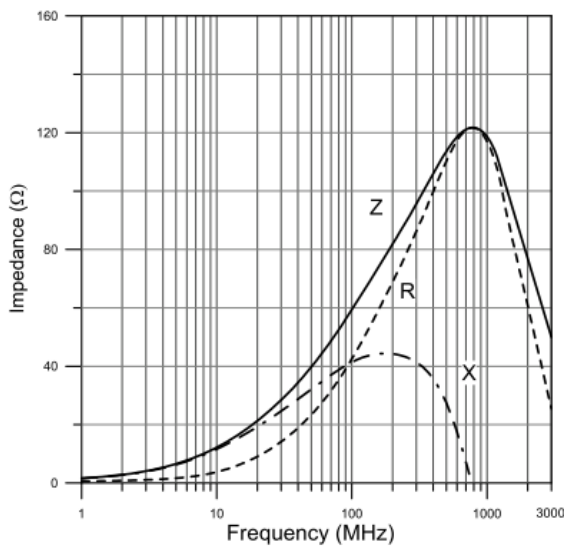
MB0603-400-LF



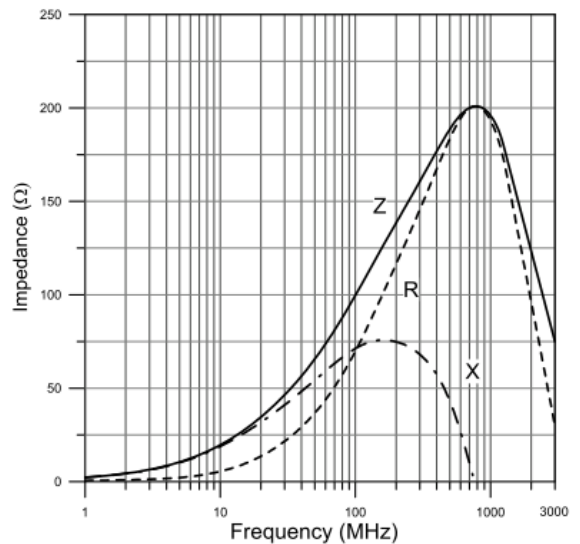
MB0603-500-LF



MB0603-600-LF



MB0603-700-LF



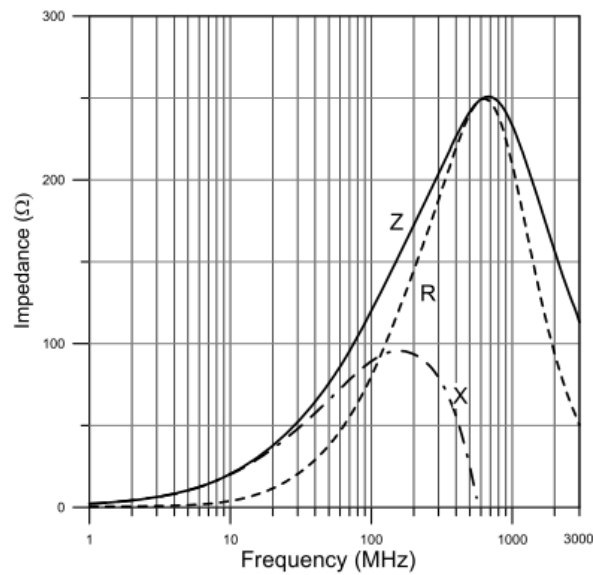


MB0603 SERIES ~ Multilayer Chip Beads / Ferrite Chip Beads



IMPEDANCE vs FREQUENCY

MB0603-121-LF

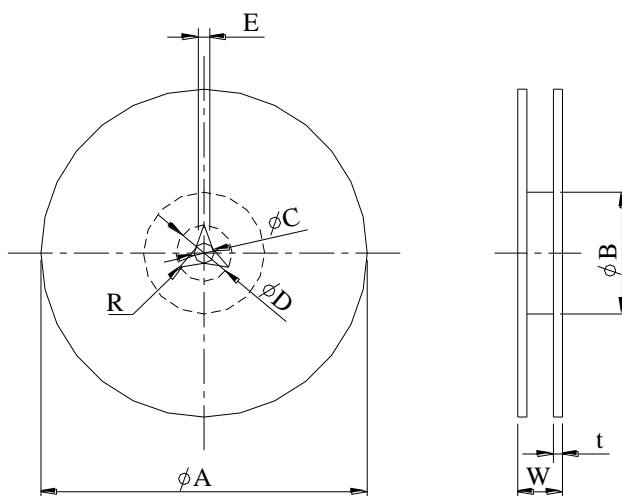




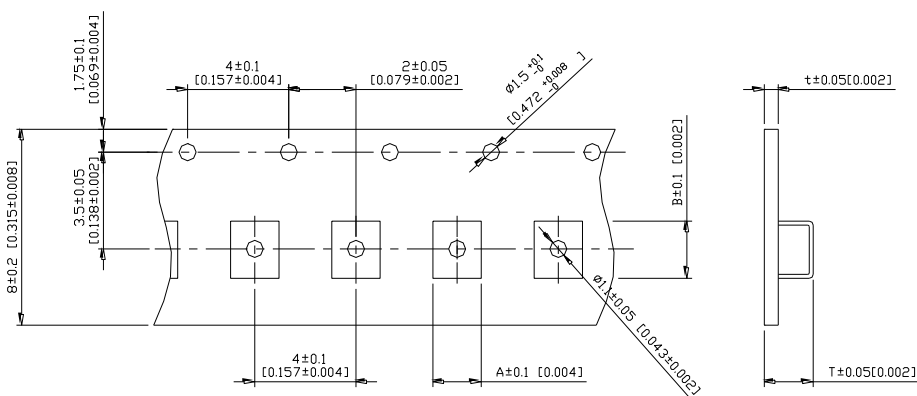
MB0603 SERIES ~ Multilayer Chip Beads / Ferrite Chip Beads



PACKAGING SPECIFICATION



	A	B	C	D	E	W8	W12	t	R
T($\psi 178\text{mm}$) Reel	$\psi 178 \pm 2$	$\psi 60 \pm 1$	$\psi 13 \pm 0.8$	$\psi 21 \pm 0.8$	2	10 ± 1.5	14.5 ± 1.5	1.27 ± 0.2	1



TYPE	A	B	T	t	T($\phi 178\text{mm}$)	T($\phi 330\text{mm}$)
MB0603	0.65	1.15	0.80	0.2	15000 pcs/reel	—