

MB2012 SERIES ~ Multilayer Chip Beads / Ferrite Chip Beads

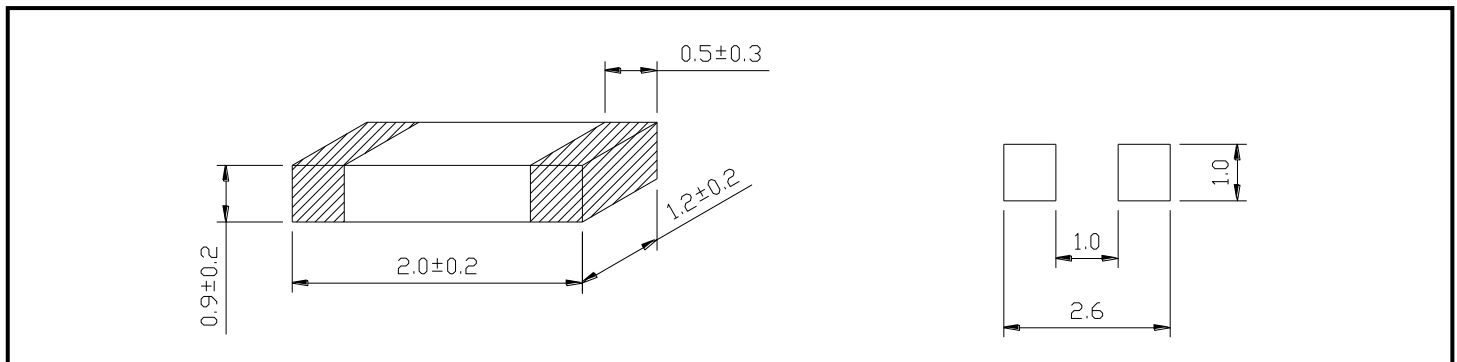


PART NUMBERING SYSTEM

MB	2012	—	151	—	LF
TYPE	DIMENSIONS		IMPEDANCE		LEAD FREE

SHAPES AND DIMENSIONS

UNIT : mm



SPECIFICATION TABLE

PART NUMBER	IMPEDANCE (Ω) at 100MHz	DCR (Ω) (max)	IDC (mA) (max)
MB2012-110-LF	11±25%	0.10	300
MB2012-310-LF	31±25%	0.10	300
MB2012-600-LF	60±25%	0.15	300
MB2012-800-LF	80±25%	0.15	300
MB2012-101-LF	100±25%	0.20	300
MB2012-121-LF	120±25%	0.20	300
MB2012-151-LF	150±25%	0.20	300
MB2012-221-LF	220±25%	0.25	300
MB2012-301-LF	300±25%	0.25	300
MB2012-401-LF	400±25%	0.30	300
MB2012-601-LF	600±25%	0.35	300
MB2012-102-LF	1000±25%	0.45	300
MB2012-152-LF	1500±25%	0.70	300
MB2012-202-LF	2000±25%	0.40	200
MB2012-222-LF	2200±25%	0.50	200
MB2012-252-LF	2500±25%	0.60	200
MB2012-272-LF	2700±25%	0.60	200

- Operating temperature range -55°C to +125°C , Electrical specifications at 25°C..

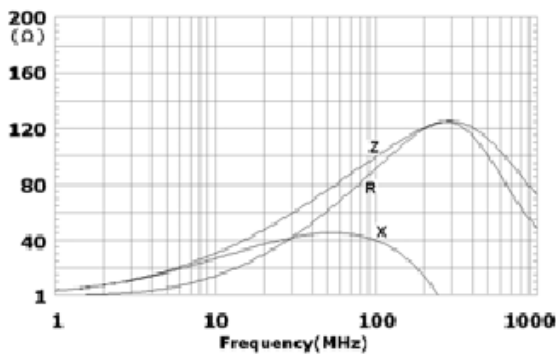


MB2012 SERIES ~ Multilayer Chip Beads / Ferrite Chip Beads

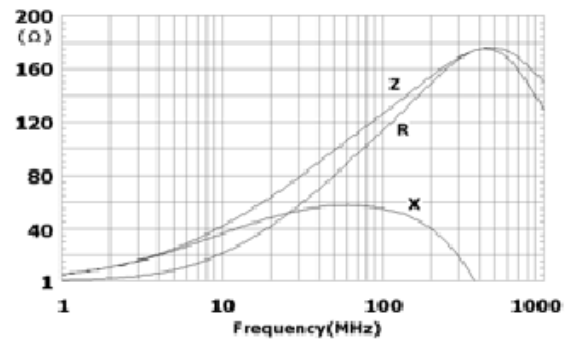


IMPEDANCE vs FREQUENCY

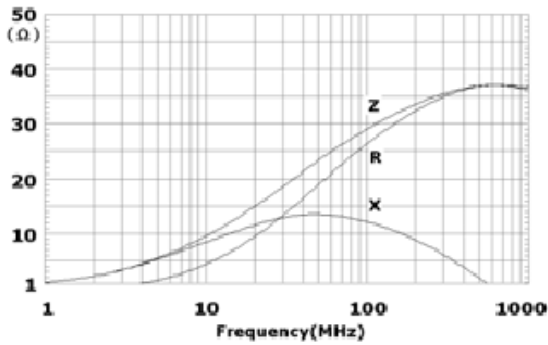
MB2012-101-LF



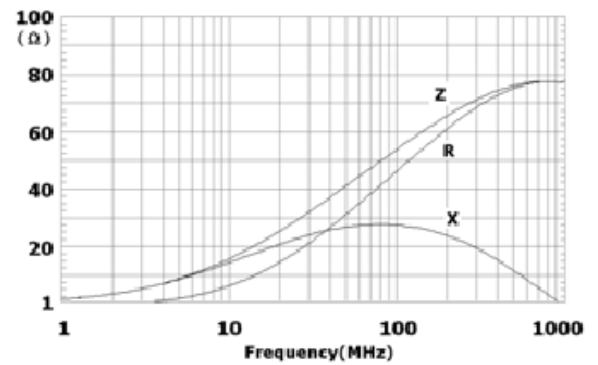
MB2012-121-LF



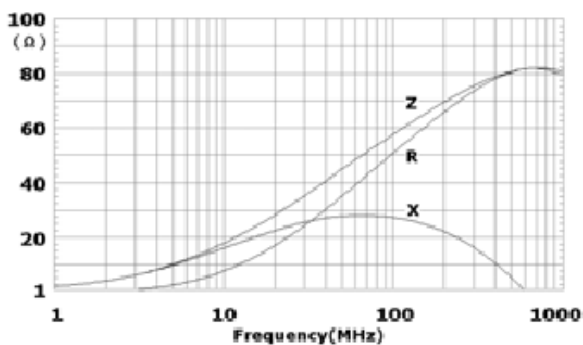
MB2012-310-LF



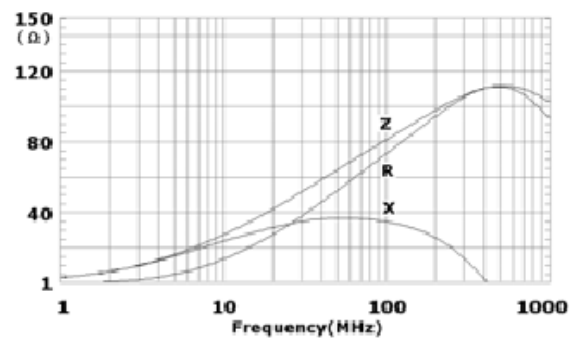
MB2012-520-LF



MB2012-600-LF



MB2012-800-LF

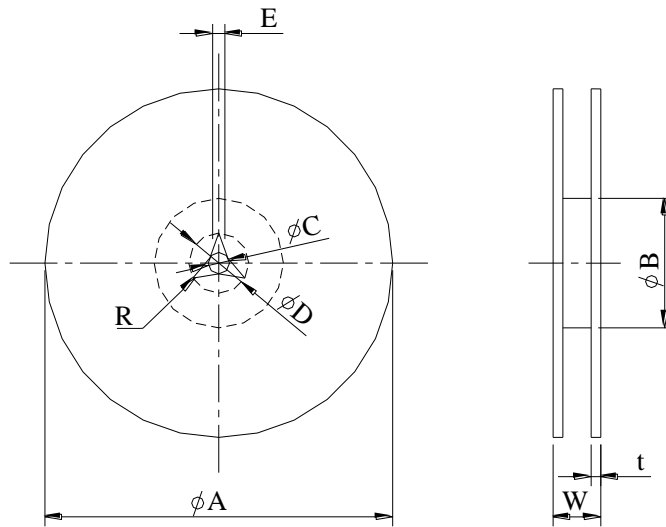




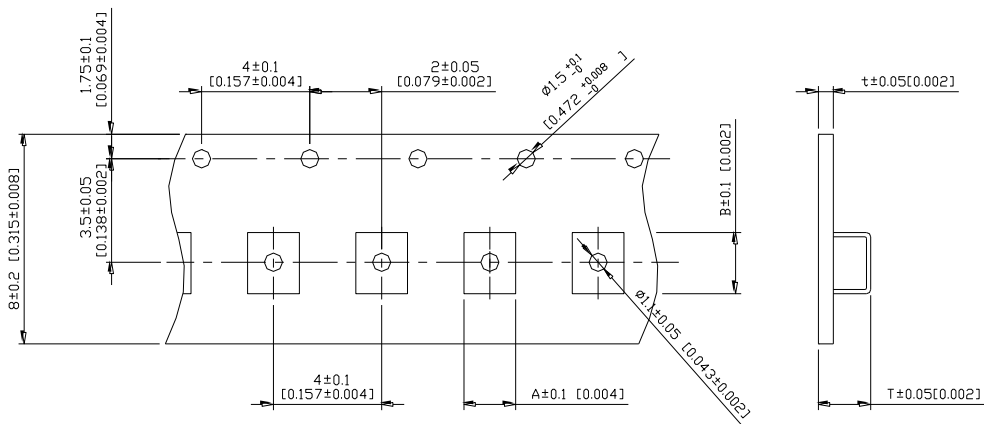
MB2012 SERIES ~ Multilayer Chip Beads / Ferrite Chip Beads



PACKAGING SPECIFICATION



	A	B	C	D	E	W8	W12	t	R
T($\psi 178\text{mm}$) Reel	$\psi 178 \pm 2$	$\psi 60 \pm 1$	$\psi 13 \pm 0.8$	$\psi 21 \pm 0.8$	2	10 ± 1.5	14.5 ± 1.5	1.27 ± 0.2	1



TYPE	A	B	T	t	T($\psi 178\text{mm}$)	T($\psi 330\text{mm}$)
MB2012	1.55	2.30	1.20	0.2	4000 pcs/reel	-