



MB3225 SERIES ~ Multilayer Chip Beads / Ferrite Chip Beads

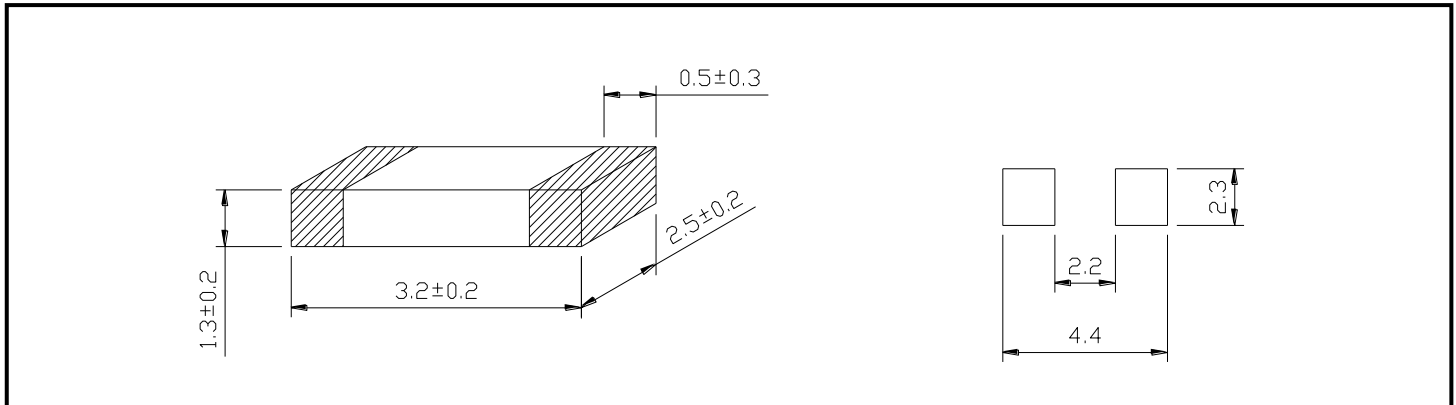


PART NUMBERING SYSTEM

MB	3225	—	310	—	LF
TYPE	DIMENSIONS		IMPEDANCE		LEAD FREE

SHAPES AND DIMENSIONS

UNIT : mm



SPECIFICATION TABLE

PART NUMBER	IMPEDANCE (Ω) at 100MHz	DCR (Ω) (max)	IDC (mA) (max)
MB3225-310-LF	31±25%	0.10	500
MB3225-520-LF	52±25%	0.30	400
MB3225-600-LF	60±25%	0.30	400
MB3225-900-LF	90±25%	0.40	400

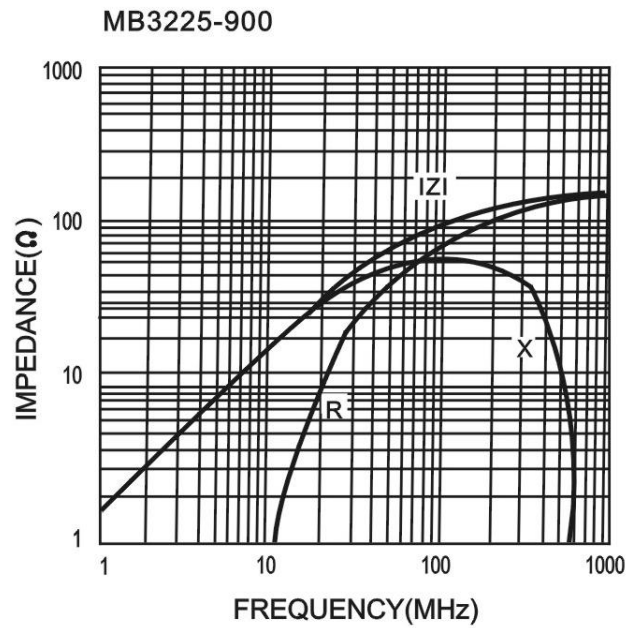
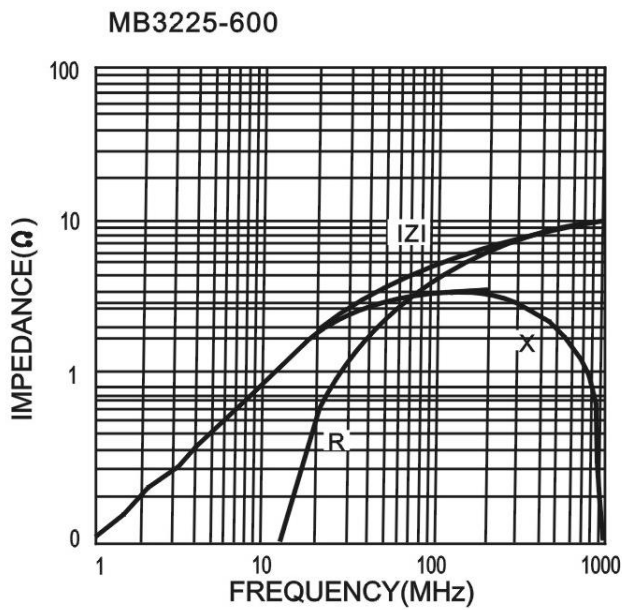
- Test equipment : Agilent/HP-4291A impedance analyzer or equipment .
- Operating temperature range -55°C to +125°C , Electrical specifications at 25°C .



MB3225 SERIES ~ Multilayer Chip Beads / Ferrite Chip Beads



IMPEDANCE VS FREQUENCY CURVE

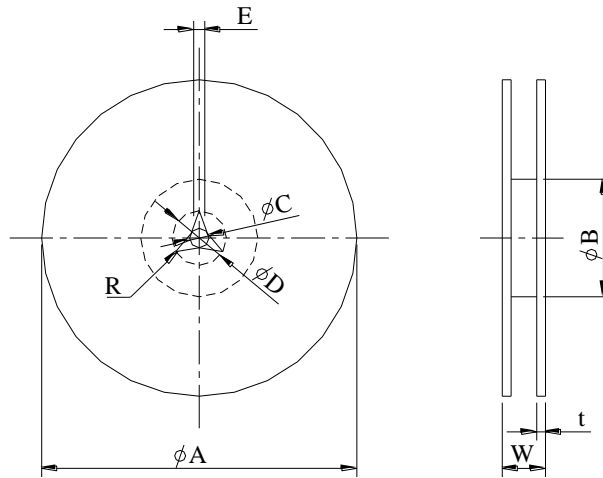




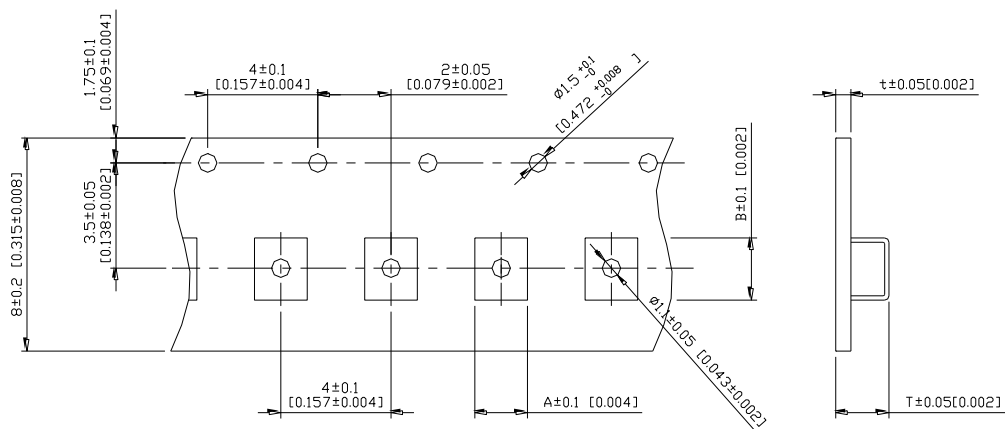
MB3225 SERIES ~ Multilayer Chip Beads / Ferrite Chip Beads



PACKAGING SPECIFICATION



	A	B	C	D	E	W8	W12	t	R
T($\psi 178\text{mm}$) Reel	$\psi 178 \pm 2$	$\psi 60 \pm 1$	$\psi 13 \pm 0.8$	$\psi 21 \pm 0.8$	2	10 ± 1.5	14.5 ± 1.5	1.27 ± 0.2	1



TYPE	A	B	T	t	T($\phi 178\text{mm}$)	T($\phi 330\text{mm}$)
MB3225	2.90	3.60	1.70	0.25	2000 pcs/reel	-