

Through Hole Power Inductors - RCB1820P SERIES



PART NUMBERING SYSTEM

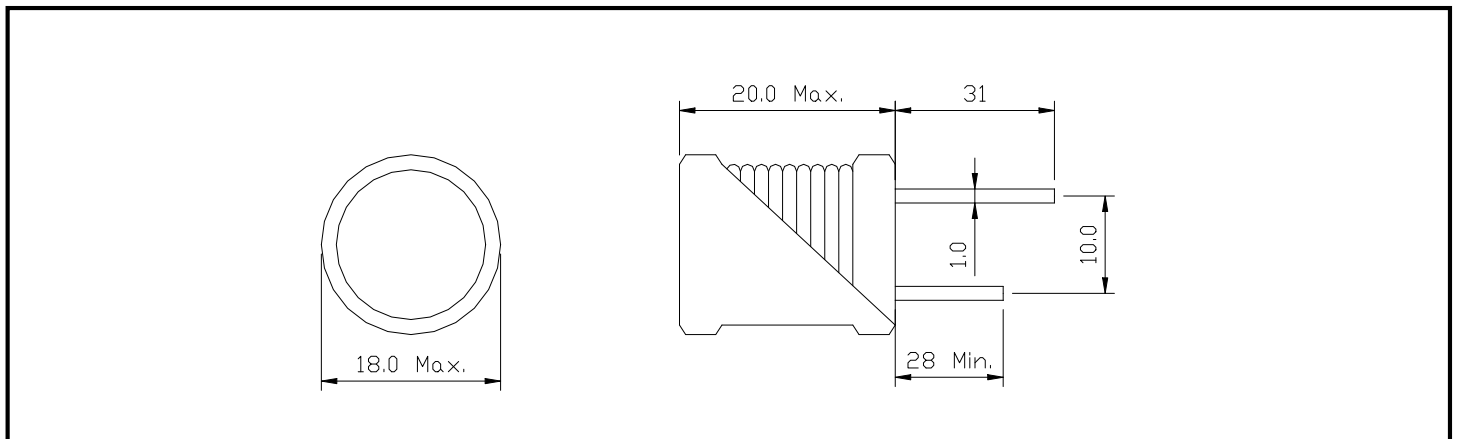
RCB	1820P	—	221K	—	LF
TYPE	DIMENSIONS		INDUCTANCE		LEAD FREE

U : UL Tube

P : PET Tube

SHAPES AND DIMENSIONS

UNIT : mm



STRUCTURAL DIAGRAM :

COMPONENT	MATERIALS
1.Core	Ferrite core
2.Wire	Polyurethane enameled copper wires
3.Lead wire	Tinned copper wires
4.Tube	Heat shrinkable tube, PET or UL
5.Glue	Epoxy resin



Through Hole Power Inductors - RCB1820P SERIES



SPECIFICATION TABLE

PART NUMBER	INDUCTANCE (μ H)	DCR ($m\Omega$) (max)	IDC (A) (max)	TEST FREQ. (Freq.)
RCB1820-220M-LF	22	30	5.7	1KHz
RCB1820-270M-LF	27	33	5.0	1KHz
RCB1820-330K-LF	33	35	4.8	1KHz
RCB1820-390K-LF	39	38	4.5	1KHz
RCB1820-470K-LF	47	44	4.2	1KHz
RCB1820-560K-LF	56	48	4.0	1KHz
RCB1820-680K-LF	68	55	3.8	1KHz
RCB1820-820K-LF	82	66	3.5	1KHz
RCB1820-101K-LF	100	82	3.2	1KHz
RCB1820-121K-LF	120	98	3.0	1KHz
RCB1820-151K-LF	150	110	2.7	1KHz
RCB1820-181K-LF	180	130	2.5	1KHz
RCB1820-221K-LF	220	160	2.3	1KHz
RCB1820-271K-LF	270	190	2.0	1KHz
RCB1820-331K-LF	330	260	1.8	1KHz
RCB1820-391K-LF	390	290	1.7	1KHz
RCB1820-471K-LF	470	330	1.5	1KHz
RCB1820-561K-LF	560	410	1.4	1KHz
RCB1820-681K-LF	680	460	1.3	1KHz
RCB1820-821K-LF	820	630	1.1	1KHz
RCB1820-102K-LF	1000	710	1.0	1KHz

1. Inductors Tolerance : K = +/-10% ; M=+/-20%
2. Operating temperature range -40°C to +125°C
3. Electronical specifications at 25°C