

## Low profile high current power inductors - SBP75 SERIES



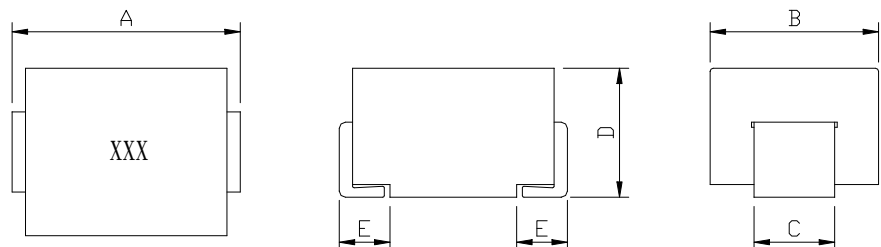
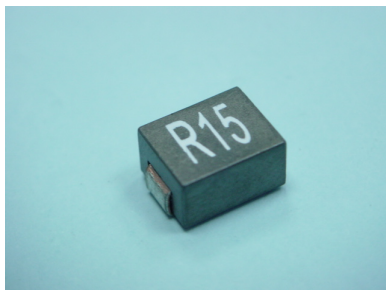
### PART NUMBERING SYSTEM

<b>SBP</b>	<b>75</b>	—	<b>R15M</b>	<b>LF</b>
TYPE	DIMENSIONS		INDUCTANCE	LEAD FREE

### Electrical Characteristic

- a. Storage temperature range : -40°C to + 125°C.
  - b. Operating ambient temperature range : -40°C to + 85°C  
(range is application specific)
  - c. Infrared reflow temperature : +260°C for 10 seconds maximum.
  - d. Frequency Range : 300KHz to 2MHz.
2. Surface mount inductors designed for high speed, high current switch mode applications requiring lower inductance.
  3. Gapped ferrite cores for maximum efficiency.
  4. Inductance values from 36nH to 200nH.
  5. Current range up to 19 Amps.

### SHAPES AND DIMENSIONS



UNIT : mm

**A=7.2 Max. B=7.0 Max. C=3.0 Ref. D=5.0 Max. E=1.3 Ref.**



E-mail : [info@coilmaster.com.tw](mailto:info@coilmaster.com.tw)

**Coilmaster Electronics Co., Ltd.**

3F No.211, Huan Bei Rd. Chung Li District , Taoyuan City, Taiwan  
Tel : +886-3-422-8279

Web Site : [www.coilmaster.com.tw](http://www.coilmaster.com.tw)

Fax : +886-3-452-5688

## Low profile high current power inductors - SBP75 SERIES

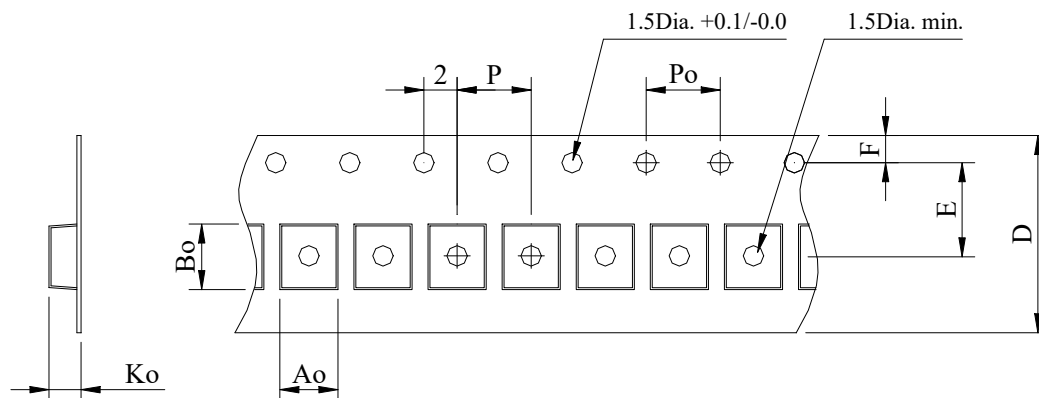


### SPECIFICATION TABLE

PART NUMBER	INDUCTANCE (nH)	DCR (mΩ) (Nom.)	I rms Amps	I sat Amps	Volt-μ Sec (Vμs) (Ref.)
SBP75-72NM-LF	72±20%	0.28	37.0	31.0	0.99
SBP75-R10M-LF	100±20%	0.28	37.0	30.0	0.99
SBP75-R15M-LF	150±20%	0.28	37.0	25.5	0.99
SBP75-R20M-LF	200±20%	0.28	37.0	19.0	0.99

- Isat: DC current at which the inductance drops 30% (typ) from its value without current.
- Irms: Average current for 40°C temperature rise from 25°C ambient.
- Operating temperature range -40°C to +125°C ,
- Electrical specifications at 20°C.

### PACKAGING SPECIFICATION



STAYLE	Q'TY (PCS)	DIMENSIONS (m/m)							
		Ao	Bo	Ko	P	Po	D±0.3	E	F
13~16	1,000	6.6	7.1	3.2	12.0	4.0	16.0	7.5	1.75

