



SDS125BQ SERIES ~ SMD Shielded Coupled Inductors

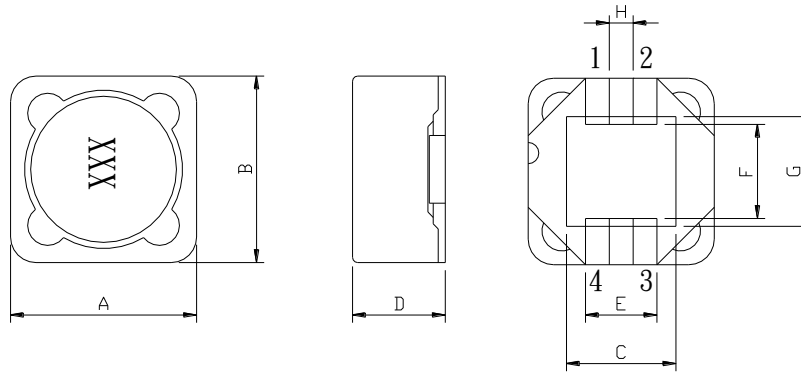


PART NUMBERING SYSTEM

SDS	125BQ	—	680M	—	LF
TYPE	DIMENSIONS		INDUCTANCE		LEAD FREE

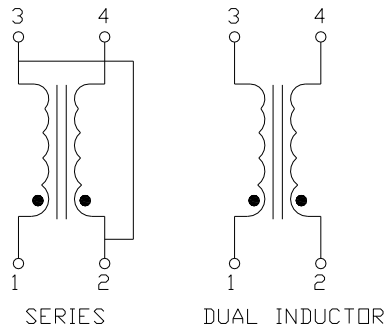
SHAPES AND DIMENSIONS

UNIT : mm

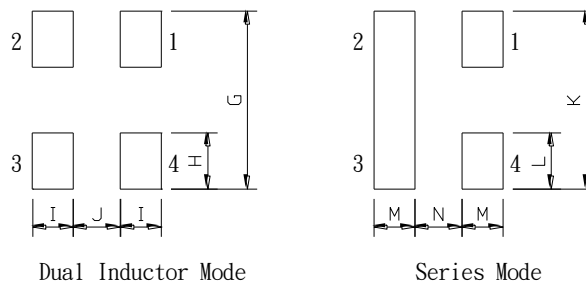


A=12.5 Max. B=12.5 Max. C=7.0 Ref. D=6.0 Max. E=5.0 Ref. F=5.7±0.05 G=7.2 Ref. H=1.8 Ref.

SCHEMATIC DRAWING



PCB PATTERN



G=13.8 H=3.85 I=2.5 J=0.5 K=13.8 L=3.85 M=2.5 N=0.5

SDS125BQ SERIES ~ SMD Shielded Coupled Inductors



SPECIFICATION TABLE

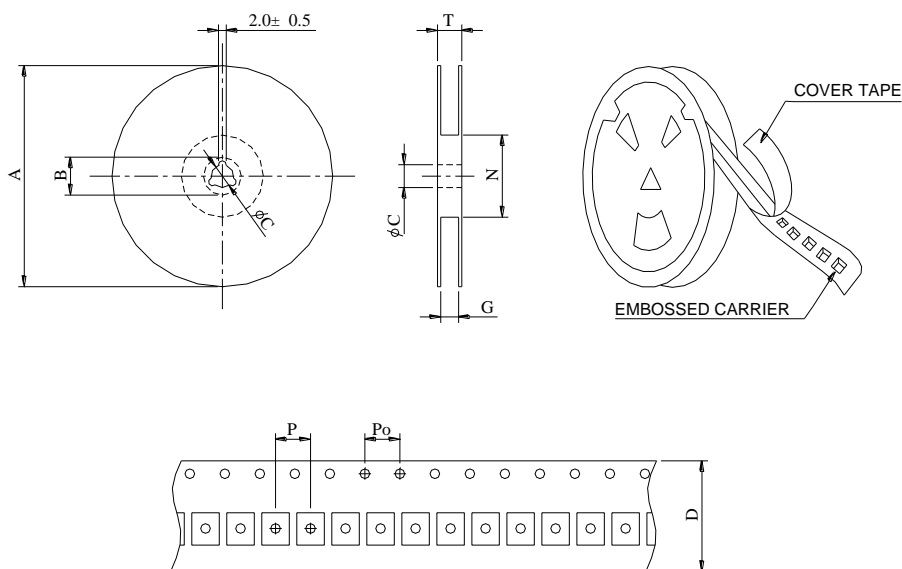
TYPE PART NUMBER	INDUCTANCE (μ H)	Parallel Ratings				Series ratings			
		OCL \pm 20% (μ H)	I rms (A)	I sat (A)	DCR (Ω) (Max.)	OCL \pm 25% (μ H)	I rms (A)	I sat (A)	DCR (Ω) (Max.)
SDS125BQ-R47M-LF	0.47	0.456	17.6	33.0	0.0023	1.824	8.80	16.5	0.0098
SDS125BQ-1R0M-LF	1.00	0.894	15.0	23.6	0.0030	3.576	7.51	11.8	0.1200
SDS125BQ-1R5M-LF	1.50	1.478	13.8	18.3	0.0036	5.912	6.89	9.15	0.0143
SDS125BQ-2R2M-LF	2.20	2.208	10.9	15.0	0.0056	8.832	5.46	7.50	0.0228
SDS125BQ-3R3M-LF	3.30	3.084	9.26	12.7	0.0079	12.34	4.63	6.35	0.0316
SDS125BQ-4R7M-LF	4.70	5.274	7.18	9.71	0.0131	21.10	3.59	4.86	0.0525
SDS125BQ-6R8M-LF	6.80	6.588	6.64	8.68	0.0154	26.35	3.32	4.34	0.0615
SDS125BQ-8R2M-LF	8.20	8.048	5.54	7.86	0.0220	32.19	2.77	3.93	0.0881
SDS125BQ-100M-LF	10.0	9.654	5.35	7.17	0.0236	38.62	2.67	3.59	0.0946
SDS125BQ-150M-LF	15.0	15.35	4.27	5.69	0.0372	61.40	2.13	2.85	0.1500
SDS125BQ-220M-LF	22.0	22.36	3.70	4.71	0.0495	89.44	1.84	2.36	0.1988
SDS125BQ-330M-LF	33.0	33.74	3.28	3.84	0.0625	135.0	1.64	1.92	0.2538
SDS125BQ-470M-LF	47.0	47.47	2.71	3.24	0.0925	189.9	1.35	1.62	0.3713
SDS125BQ-680M-LF	68.0	67.91	2.22	2.70	0.126	271.6	1.11	1.35	0.550
SDS125BQ-820M-LF	82.0	86.89	2.05	2.39	0.160	347.6	1.03	1.20	0.644
SDS125BQ-101M-LF	100	102.7	1.78	2.20	0.213	410.8	0.892	1.10	0.853
SDS125BQ-151M-LF	150	151.1	1.48	1.81	0.310	604.4	0.739	0.905	1.239
SDS125BQ-221M-LF	220	216.8	1.19	1.51	0.480	867.2	0.594	0.755	1.925
SDS125BQ-331M-LF	330	332.6	1.06	1.22	0.603	1330	0.530	0.610	2.413
SDS125BQ-471M-LF	470	473.1	0.87	1.02	0.898	1892	0.434	0.510	3.588
SDS125BQ-681M-LF	680	679.8	0.70	0.85	1.375	2719	0.350	0.425	5.525
SDS125BQ-821M-LF	820	828.0	0.60	0.77	1.863	3312	0.301	0.385	7.450
SDS125BQ-102M-LF	1000	1008	0.57	0.70	2.113	4032	0.283	0.350	8.450

- Inductors tolerance M \pm 20%.
- I sat : DC current at which the inductance drops 30% (typ) from its value without current.
- Operating temperature range -40 $^{\circ}$ C to +125 $^{\circ}$ C , Electrical specifications at 25 $^{\circ}$ C .

SDS125BQ SERIES ~ SMD Shielded Coupled Inductors



PACKAGING SPECIFICATION



SERIES	STAYLE	Q'TY (PCS)	DIMENSIONS (m/m)								
			A	B±0.8	C±0.5	D	G ⁺⁰	N ⁰	P	Po	T
SDS125BQ	13-24	400	330	21	13	24	26	50	20	4	30.4