



SDS2D12 SERIES

Low Profile Shielded Power Inductors



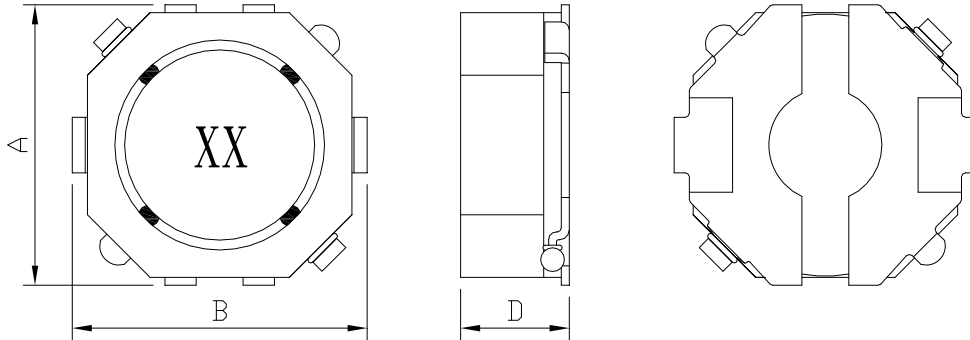
RoHS Compliant

PART NUMBERING SYSTEM

<u>SDS</u>	<u>2D12</u>	—	<u>3R3N</u>	—	<u>LF</u>
TYPE	DIMENSIONS		INDUCTANCE		LEAD FREE

SHAPES AND DIMENSIONS

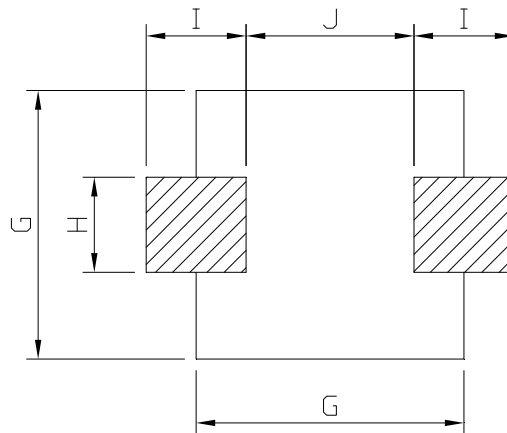
UNIT : mm



A=3.2 Max. B=3.2 Max. D=1.2 Max.

RECOMMENDED PATTERNS

UNIT : mm



G=3.2 H=1.2 I=1.1 J=1.8



SDS2D12 SERIES

Low Profile Shielded Power Inductors



RoHS Compliant

ELECTRICAL CHARACTERISTICS :

PART NUMBER	INDUCTANCE (μ H)	DCR (m Ω) Max.(Typ.)	Isat (A) (Max.)	Irms (A) (Max.)	Stamp
SDS2D12-1R2N-LF	1.2 \pm 30%	117(90)	0.85	1.05	1R
SDS2D12-2R2N-LF	2.2 \pm 30%	182(140)	0.70	0.90	2R
SDS2D12-3R3N-LF	3.3 \pm 30%	260(200)	0.60	0.82	3R
SDS2D12-4R7N-LF	4.7 \pm 30%	312(240)	0.50	0.72	4R
SDS2D12-5R6N-LF	5.6 \pm 30%	442(340)	0.46	0.67	5R
SDS2D12-6R8N-LF	6.8 \pm 30%	520(400)	0.43	0.62	6R
SDS2D12-8R2N-LF	8.2 \pm 30%	560(430)	0.38	0.58	8R
SDS2D12-100M-LF	10 \pm 20%	780(600)	0.33	0.55	10

- Inductance tested at 100 kHz, 0.1 Vrms, 0 Adc using an Agilent/HP 4263B LCR meter or equivalent.
- Isat : DC current at which the inductance drops 30% (typ) from its value without current.
- Irms: The actual current when temperature of coil becomes $\Delta 40^{\circ}\text{C}$. (Ta=+25 $^{\circ}\text{C}$)
- Operating temperature range -40 $^{\circ}\text{C}$ to +125 $^{\circ}\text{C}$, Electrical specifications at 25 $^{\circ}\text{C}$.
- Packing : 13" reel, machine-ready ,embossed plastic tape (3,000 parts per full reel).