



SDS74BQ SERIES ~ SMD Shielded Coupled Inductors

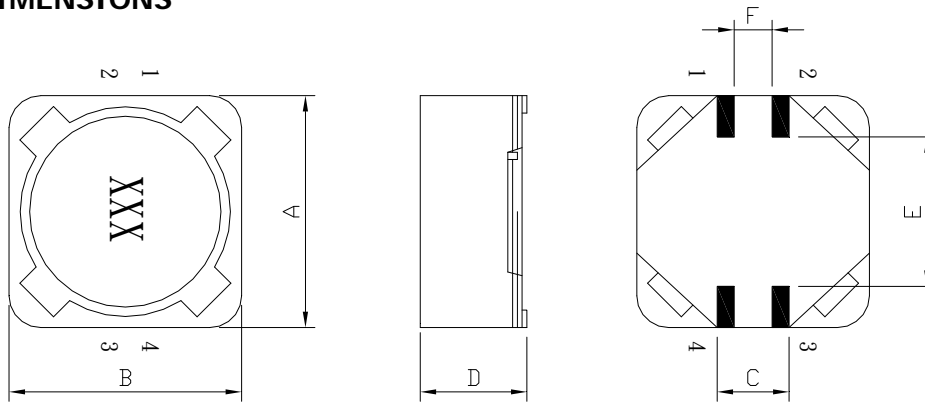


PART NUMBERING SYSTEM

SDS	74BQ	—	680M	—	LF
TYPE	DIMENSIONS		INDUCTANCE		LEAD FREE

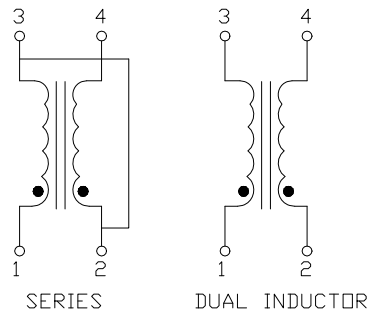
SHAPES AND DIMENSIONS

UNIT : mm

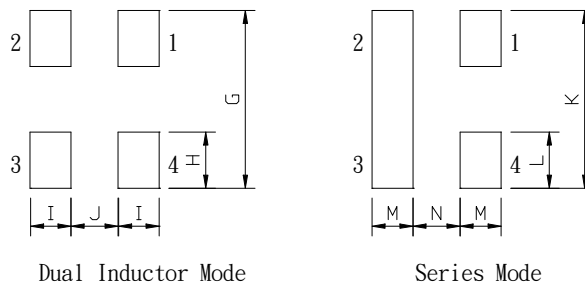


A=7.60 Max. B=7.60 Max. C=2.70 Ref. D=3.55 Max. E=2.90 Ref. F=1.00 Ref.

SCHEMATIC DRAWING



PCB PATTERN



G=7.9 H=1.7 I=1.0 J=0.4 K=7.9 L=1.7 M=1.0 N=0.4

SDS74BQ SERIES ~ SMD Shielded Coupled Inductors



SPECIFICATION TABLE

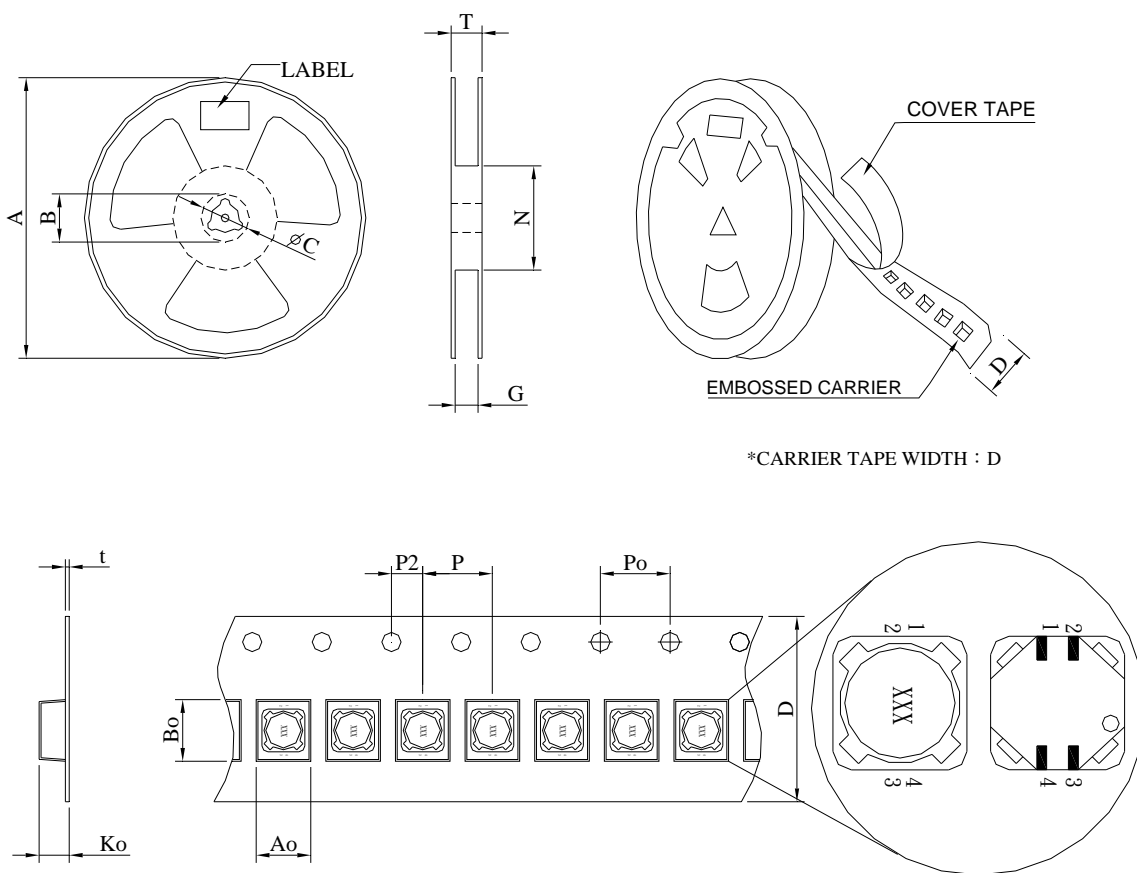
TYPE PART NUMBER	INDUCTANCE (μ H)	Parallel Ratings				Series ratings			
		OCL \pm 20% (μ H)	I rms (A)	I sat (A)	DCR (Ω) (Max.)	OCL \pm 25% (μ H)	I rms (A)	I sat (A)	DCR (Ω) (Max.)
SDS74BQ-R33M-LF	0.33	0.294	6.20	18.4	0.0093	1.176	3.10	9.18	0.0369
SDS74BQ-1R0M-LF	1.00	0.952	5.33	10.2	0.0125	3.808	2.66	5.10	0.0500
SDS74BQ-1R5M-LF	1.50	1.422	4.96	8.35	0.0144	5.688	2.48	4.17	0.5762
SDS74BQ-2R2M-LF	2.20	1.986	4.66	7.06	0.0163	7.944	2.33	3.53	0.0651
SDS74BQ-3R3M-LF	3.30	3.396	3.94	5.40	0.0229	13.58	1.97	2.70	0.0915
SDS74BQ-4R7M-LF	4.70	5.182	3.34	4.37	0.0318	20.73	1.67	2.19	0.1275
SDS74BQ-6R8M-LF	6.80	7.344	2.60	3.67	0.0523	29.38	1.30	1.84	0.2088
SDS74BQ-8R2M-LF	8.20	8.566	2.53	3.40	0.0551	34.26	1.27	1.70	0.2213
SDS74BQ-100M-LF	10.0	9.882	2.41	3.17	0.0611	39.53	1.20	1.58	0.2450
SDS74BQ-150M-LF	15.0	16.09	2.11	2.48	0.0796	64.36	1.050	1.240	0.3188
SDS74BQ-220M-LF	22.0	21.73	1.75	2.13	0.1156	86.92	0.874	1.07	0.4638
SDS74BQ-330M-LF	33.0	33.01	1.41	1.73	0.179	132.0	0.702	0.87	0.718
SDS74BQ-470M-LF	47.0	49.64	1.15	1.41	0.270	198.6	0.573	0.71	1.081
SDS74BQ-680M-LF	68.0	69.67	1.03	1.19	0.331	278.7	0.517	0.60	1.325
SDS74BQ-820M-LF	82.0	80.95	0.91	1.11	0.431	323.8	0.453	0.55	1.725
SDS74BQ-101M-LF	100	101.6	0.86	0.99	0.479	406.4	0.430	0.49	1.913
SDS74BQ-151M-LF	150	150.0	0.69	0.81	0.739	600.0	0.346	0.41	2.963
SDS74BQ-221M-LF	220	227.0	0.56	0.66	1.134	908.0	0.279	0.33	3.288
SDS74BQ-331M-LF	330	335.6	0.45	0.54	1.763	1342	0.224	0.27	7.075
SDS74BQ-471M-LF	470	465.3	0.40	0.46	2.175	1861	0.202	0.23	8.713
SDS74BQ-681M-LF	680	671.2	0.33	0.38	3.225	2685	0.166	0.19	12.875
SDS74BQ-821M-LF	820	812.7	0.31	0.35	3.663	3251	0.156	0.17	14.625
SDS74BQ-102M-LF	1000	1009	0.27	0.31	4.863	4036	0.135	0.16	19.500

- Inductors tolerance $M=\pm 20\%$.
- I sat : DC current at which the inductance drops 30% (typ.) from its value without current.
- Operating temperature range -40°C to $+125^{\circ}\text{C}$, Electrical specifications at 25°C .

SDS74BQ SERIES ~ SMD Shielded Coupled Inductors



PACKAGING SPECIFICATION



SERIES	STAYLE	Q'TY (PCS)	DIMENSIONS (m/m)								
			A	B±0.8	C±0.5	D	G ⁺⁰	N ⁰	P	Po	T
SDS74BQ	13-16	1,000	330	21	13	16	18	50	12	4	22.4