



SMD Line Filters - SLF63 SERIES

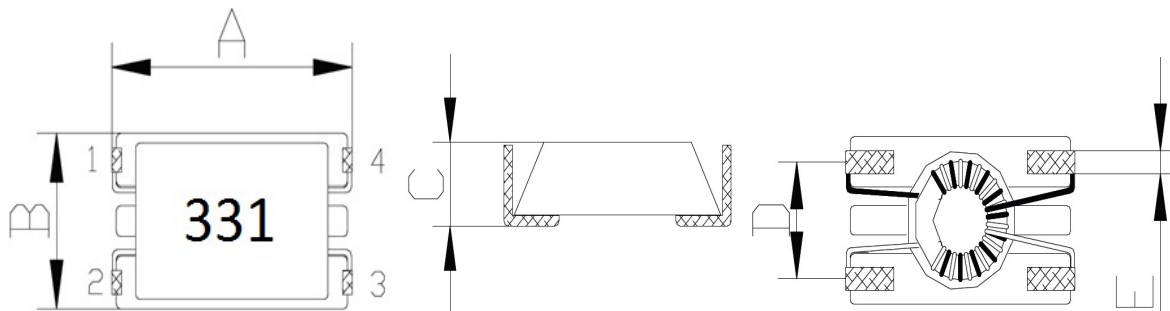


PART NUMBERING SYSTEM

SLF	63	—	510	—	LF
TYPE	DIMENSIONS		INDUCTANCE		LEAD FREE

SHAPES , DIMENSIONS AND PCB LAYOUT

UNIT : mm



A=6.30 Max. , B=3.6Max. , C=3.50 Max., D=1.27 Ref. , E=0.40 Ref.

FEATURES

- Designed for low profile effective in space conscious applications .
- High current capability up to 400 mA
- Rated voltage: 80 VDC (42 VAC)
- Ideal for low resistance filters have been designed for excellent electrical isolation .
- Application for provide common mode noise attenuation and for the suppression of EMI in data lines and signal lines .
- Lead free and RoHS compliant



SMD Line Filters - SLF63 SERIES



APPLICATIONS

- USB
- CAN
- FireWire
- Signal and sensor lines
- Power supply system
- Data lines
- Suppression of common mode noise

SPECIFICATION TABLE

PART NUMBER	INDUCTANCE (μ H) 10KHz 20mV	DCR(Ω) (Max.) N1=N2	Rated Current (mA)	Impedance (Z) ohm (Max.)	Insulation Test Voltage VAC(Max.)
SLF63-110-LF	11+50%-30%	0.18	300	800	250
SLF63-220-LF	22+50%-30%	0.23	300	1500	250
SLF63-330-LF	33+50%-30%	0.27	300	2000	250
SLF63-510-LF	51+50%-30%	0.32	400	2500	250
SLF63-101-LF	100+50%-30%	0.58	300	4000	250
SLF63-471-LF	470+50%-30%	0.35	400	2200	250

- Winding type : bifiliar
- Hi-Pot test : 250Vac 60Hz 3mA at 1 minute .
- Test equipment : Inductance value : HP4284A LCR meter ; Impedance value : HP4291A LCR Meter .
- Rated current : 40°C temperature rise from 25°C ambient.
- Operating temperature range -40°C to +125°C . Electrical specifications at 25°C .
- Packing : 7" reel, machine-ready ,embossed plastic tape (500 parts per full reel).