

Balun Common Mode Chokes - SRIDB6560A SERIES

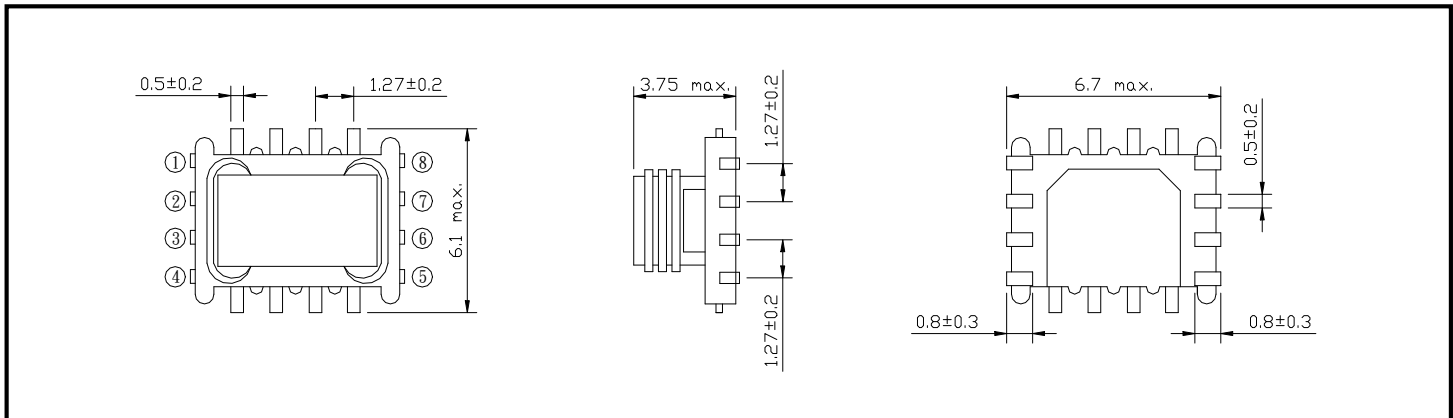


PART NUMBERING SYSTEM

SRIDB	6560A	—	121	—	LF
TYPE	DIMENSIONS		IMPEDANCE		LEAD FREE

SHAPES AND DIMENSIONS

UNIT : mm



SPECIFICATION TABLE

PART NUMBER	RATED CURRENT (mA)	COMMON MODE IMPEDANCE (Ω)		DCR (Ω) max.	WITHSTANDING VOLTAGE (Vdc)	INSULATION RESISTANCE (Ω) (min)	OPERATING TEMP. (°C)
		100MHz	300MHz				
SRIDB6560A-121-LF	500	120±25%	170 (TYP.)	0.12	100	100 M	-40~+85
SRIDB6560A-301-LF	500	300±25%	600 (TYP.)	0.12	100	100 M	-40~+85
SRIDB6560A-501-LF	500	500±25%	730 (TYP.)	0.12	100	100 M	-40~+85

TEST EQUIPMENT : HP-4291A



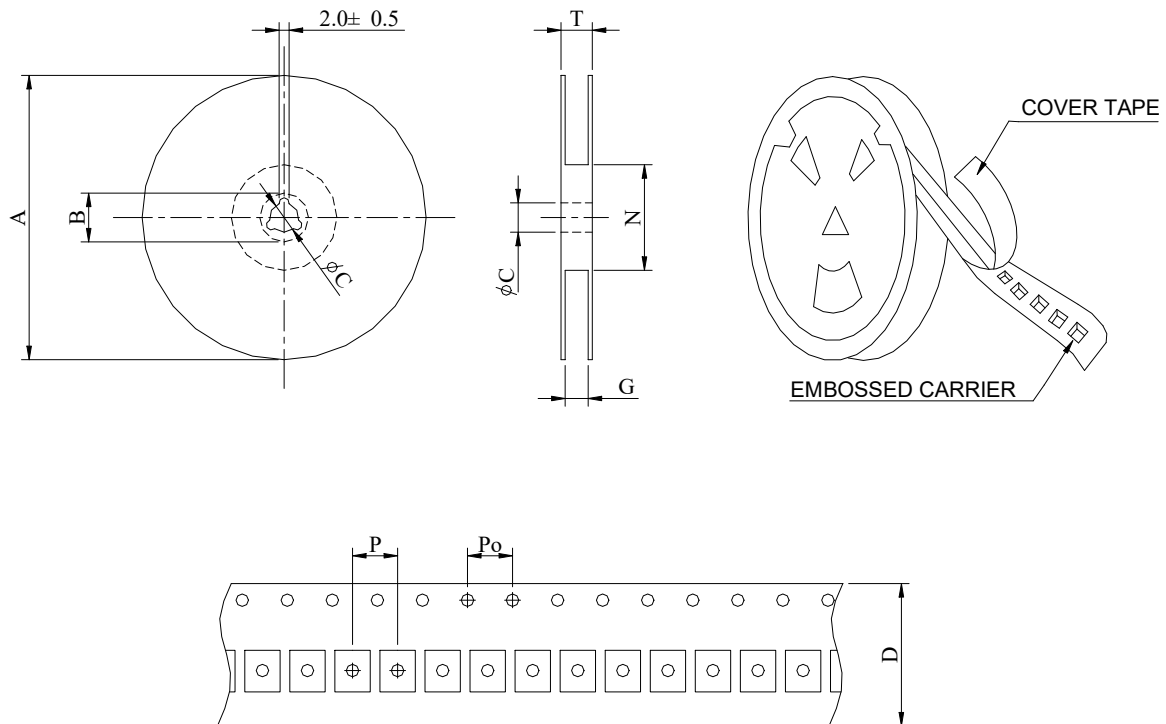
Coilmaster Electronics Co., Ltd.
 3F No.211, Huan Bei Rd. Chung Li District, Taoyuan City, Taiwan
 Tel : +886-3-422-8279 Fax : +886-3-452-5688

E-mail : info@coilmaster.com.tw
 Web Site : www.coilmaster.com.tw

Balun Common Mode Chokes - SRIDB6560A SERIES



PACKAGING SPECIFICATION



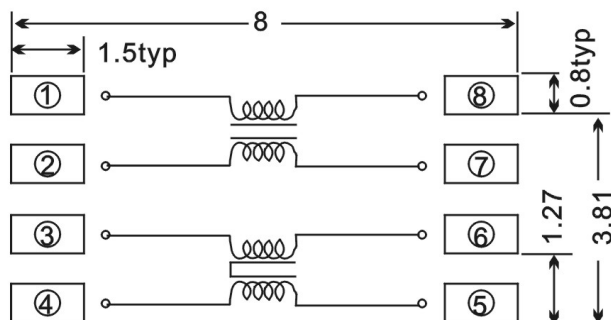
SERIES	STAYLE	Q'TY (PCS)	DIMENSIONS (m/m)								
			A	B ± 0.8	C ± 0.5	D	G ⁺⁰	N ⁰	P	P ₀	T
SRIDB6560A	12	2000	330	21	13	12	12.4	75	8	4	16.4

Balun Common Mode Chokes - SRIDB6560A SERIES

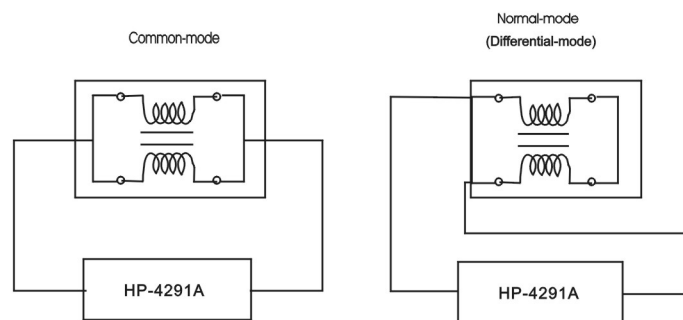


RECOMMENDED PC BOARD PATTERN (unit:mm)

SRIDB 6560A/SRIDB 6560R



MEASURING CIRCUIT





Balun Common Mode Chokes - SRIDB6560A SERIES

TYPICAL ELECTRICAL CHARACTERISTICS

SRIDB 6560A SERIES COMMON MODE vs. NORMAL MODE CHARACTERISITICS

