



Model no. : UMT-1035SA

Miniature Audio Transducer (External drive circuitry)

◆ FEATURES

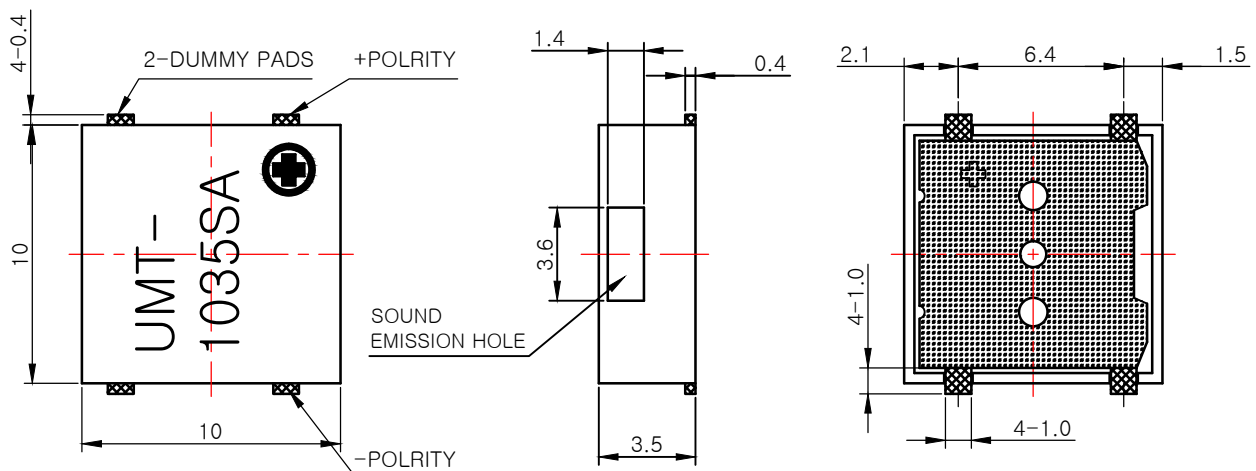
- ◆ Compact
Small and Slim Size of 10mmW×10mmL×3.5mmH
- ◆ Low Profile Design
- ◆ For Reflow Process
- ◆ Side Sound port
- ◆ Tape and Reel Packing
- ◆ RoHS Compliant and Lead Free are Applied

◆ SPECIFICATIONS

Rated Voltage	V p-p	3.6
Operating Voltage	V p-p	3.0~4.6
● Rated Current	mA	Max 100
Coil Resistance	Ω	18±5
● Sound output at 10cm	dB	Min 93(Typ98)
Resonant Frequency	Hz	2,830
Operating Temperature	°C	-40 ~ +85
Storage Temperature	°C	-40 ~ +85
Weight	g	Max 0.9

- Value Applying Rated Voltage (2,830Hz, 1/2 duty, square wave)

◆ DIMENSIONS



UNIT : mm
TOLERANCE : ±0.2
CASE MATERIAL : LCP