



## Model no. : USMT-9355TA

Miniature Audio Transducer (External drive circuitry)

### ◆ Feature

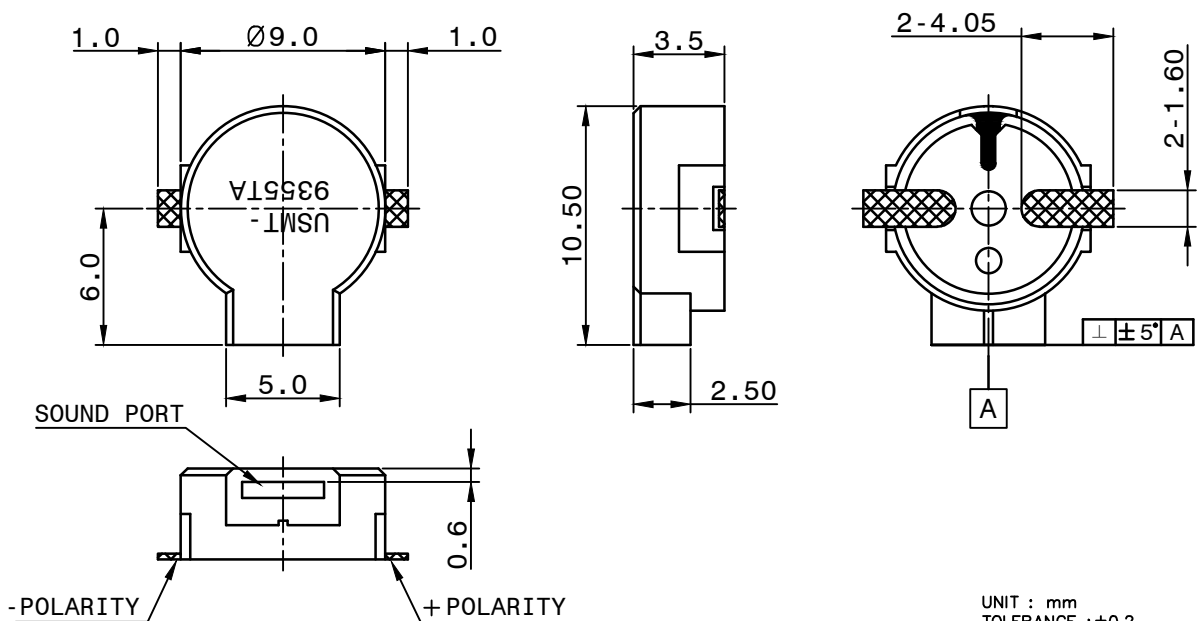
- ◆ Ultra Small (  $\varnothing 9 \times h3.5$  )
  - ◆ For reflow Process.
  - ◆ Side Sound Port.
  - ◆ Tape and Reel Packing.
  - ◆ RoHS Compliant and Lead Free are Applied.

### ◆ Specifications

Rated Voltage	V p-p	5.0
Operating Voltage	V p-p	4.0~6.0
● Rated Current	mA	Max 70
Coil Resistance	$\Omega$	32 $\pm$ 3
● Sound output at 10cm	dB	Min 87(TYP95)
Resonant Frequency	Hz	2,731
Operating Temperature	$^{\circ}$ C	-40 ~ +105
Storage Temperature	$^{\circ}$ C	-40 ~ +105
Weight	g	Max 0.7

- Value Applying Rated Voltage (2,731Hz,  $\frac{1}{2}$  duty, square wave )

### ◆ Dimensions



UNIT : mm  
TOLERANCE :  $\pm 0.2$   
CASE MATERIAL : LCP(BLACK)