



# Product Specification

**Ningbo East Electronics Limited**  
NO. 88 East Jinhui Road, Yinzhou Ningbo 315100, P.R.China  
<http://www.east-mingtao.com>

|               |                        |
|---------------|------------------------|
| Product Name: | Ultrasonic Annunciator |
| Part Number:  | W-06                   |
| Version:      | 1.01                   |
| Date:         | 2015-2-12              |
| Note:         |                        |

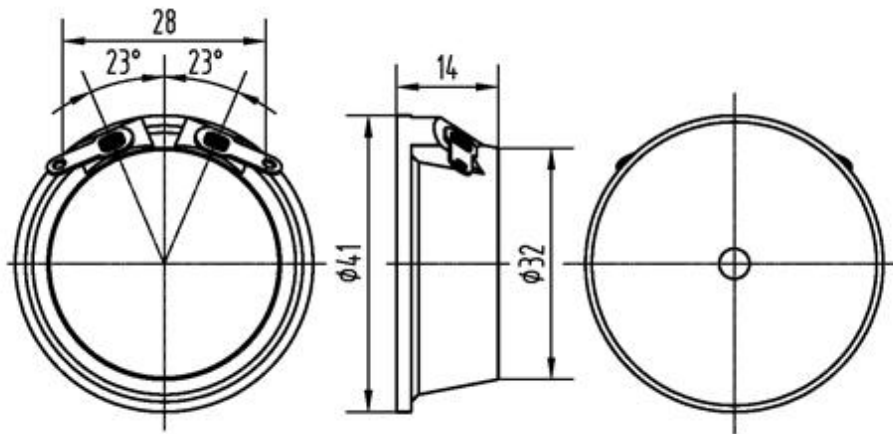
**Company passed ISO 9001 / ISO TS16949 / ISO 14001 Certifications**

## Revision History

| Rev. | Description                        | Author/Date      | Checked By | Approver |
|------|------------------------------------|------------------|------------|----------|
| 1.01 | Quality Certificate Symbol revised | 刘宁<br>2015-2-12  | 汤礼东        | 王建成      |
| 1.0  | Released                           | 汤礼东<br>2012-1-30 | 张春雷        | 王建成      |

## 1. Part Number W-06

## 2. Dimension Drawing (Unit: mm)



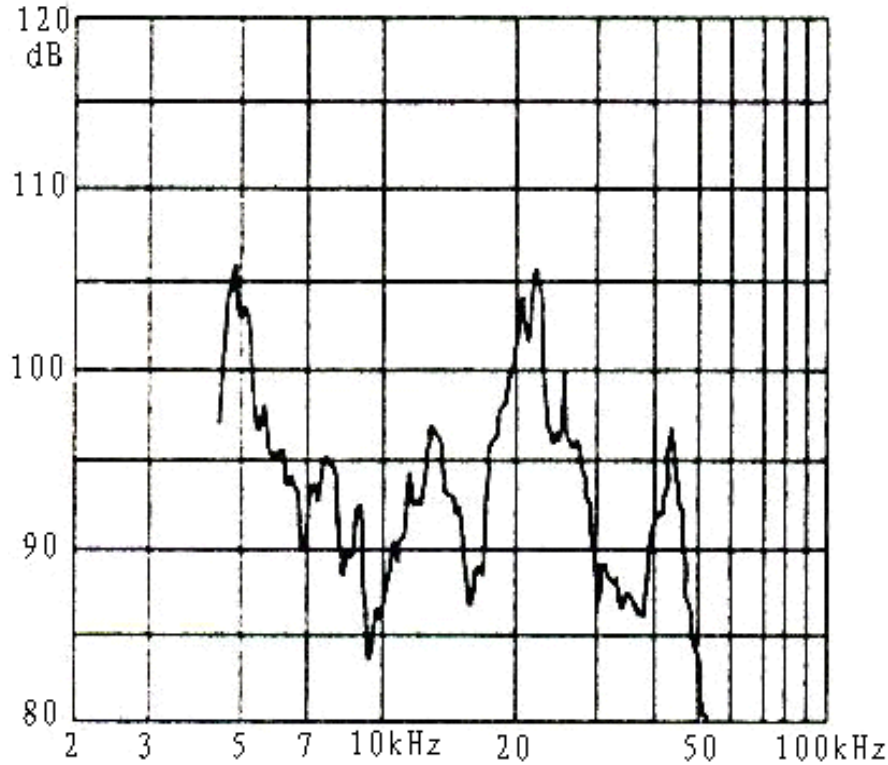
## 3. Specification

| No.  | Item                      | Specification                         |
|------|---------------------------|---------------------------------------|
| 3-1  | Min. Sound Pressure Level | 90dB/22±1kHz/2.83Vrms sine wave /50cm |
| 3-2  | Rated Voltage             | 2.83Vrms                              |
| 3-3  | Max. Operating Voltage    | 10Vrms                                |
| 3-4  | Capacitance               | 110±30% nF (At 120Hz)                 |
| 3-5  | Resonant Frequency        | 22±1kHz                               |
| 3-6  | Frequency Range           | 4~50kHz                               |
| 3-7  | Operating Temperature     | -10~+50°C                             |
| 3-8  | Case Material/Color       | Fire-resistance ABS/Black             |
| 3-9  | Weight                    | 6.2g                                  |
| 3-10 | Pin Strength              | More than 10N                         |

### NOTES:

Test should be made under the conditions of room temperature (20±10°C), normal humidity (60±20%) and normal atmospheric pressure. In this case, however, that the judgment is questionable, the test conditions are to be changed to room temperature 20±2°C, relative humidity 60~70% and normal atmospheric pressure

#### 4. Typical Frequency Response Curve



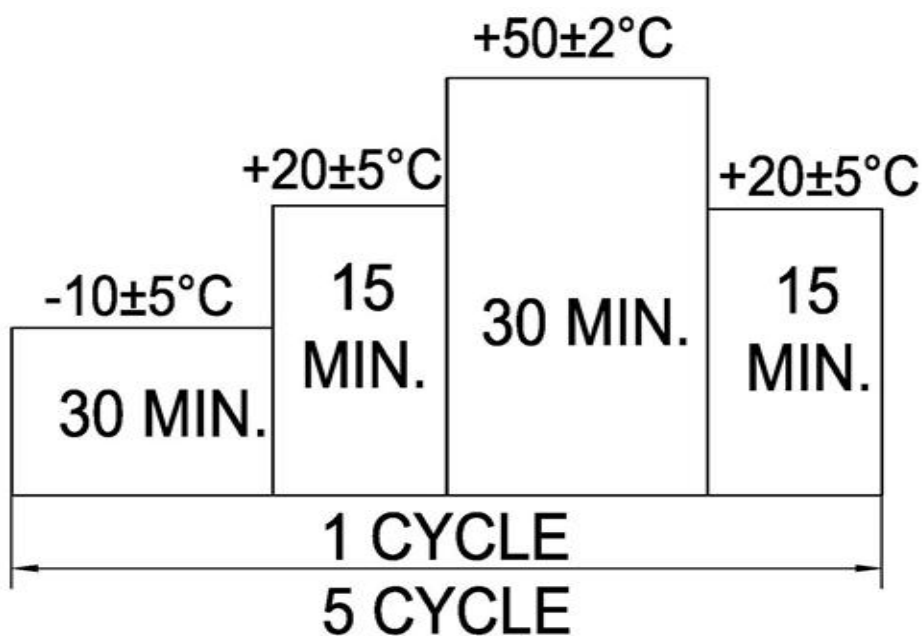
**Note:** Input Voltage 2.83Vrms sine wave  
Distance 50cm

#### 5. Reliability Test

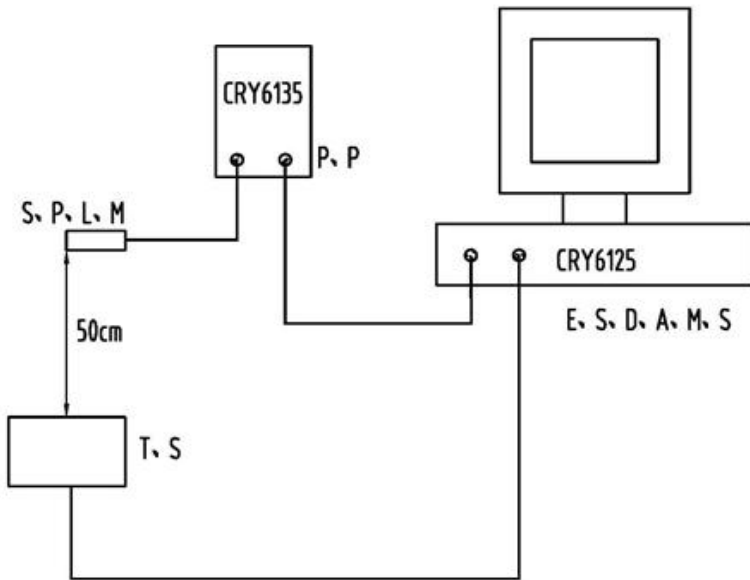
| No. | Item                                  | Method of Test  | Tolerance after Testing                           |
|-----|---------------------------------------|---|---|
| 5-1 | Operating Temperature                 | -10~+50°C   | Sound pressure level<br>initial value $\pm 10$ dB |
| 5-2 | Storage in high temperature           | Storage in +50°C test box 96 hours then exposed to the room temperature for 2 hours                                   |   |
| 5-3 | Storage in low temperature            | Storage in -10°C test box 96 hours then exposed to the room temperature for 2 hours                                   | Capacitance value<br>$\pm 20\%$                   |
| 5-4 | Life test in the room temperature     | Operate the product continuously 5 seconds on 5 seconds off 300 hours at rated voltage                                |   |
| 5-5 | Temperature / humidity cycle test     | Storage in +40°C, 93 $\pm$ 3%RH test box 96 hours then exposed to the room temperature for 2 hours                    |   |
| 5-6 | Temperature (high and low) cycle test | Conduct the test for 5 cycles without applying power then expose to the room temperature for 2 hours.(See Figure 5-6) |   |

|     |                                |  |  |
|-----|--------------------------------|--|--|
| 5-7 | Vibration test                 | Conduct the test for the directions of X Y and Z for 0.5 hour each (total 1.5 hours). To-and Fri sweep time(from 10 to 55Hz and then 55 to 10) under single amplitude of 0.75mm is 3 minute, then expose to the room temperature for 2 hours |  |
| 5-8 | Soldering heat resistance test | Dip the connecting pins in soldering at $260\pm 5^{\circ}\text{C}$ for $10\pm 1$ seconds   |  |
| 5-9 | Test of soldering              | Dip the connecting pins in soldering at $230\pm 5^{\circ}\text{C}$ for $3\pm 0.5$ seconds  | Solder shall be attached around over 95% of the dipped portion |

Figure 5-6



## 6. Electrical Testing Method



|             |   |
|-------------|---|
| S.P.L.M     | Sound Pressure Level Meter                  |
| T.S         | Testing Sample                              |
| P.P         | Preamplifier Power                          |
| E.S.D.S.M.S | Electric Sound Device Analyzer Meter Series |

## 7. Packing Information

**Packing: 1000 pcs per export carton**

**Carton Size: 47× 30.5× 31 cm**

**G. Weight: 7.8 kgs N. Weight: 6.2 kgs**